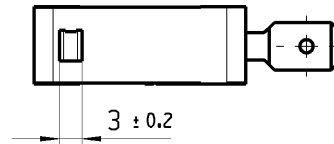
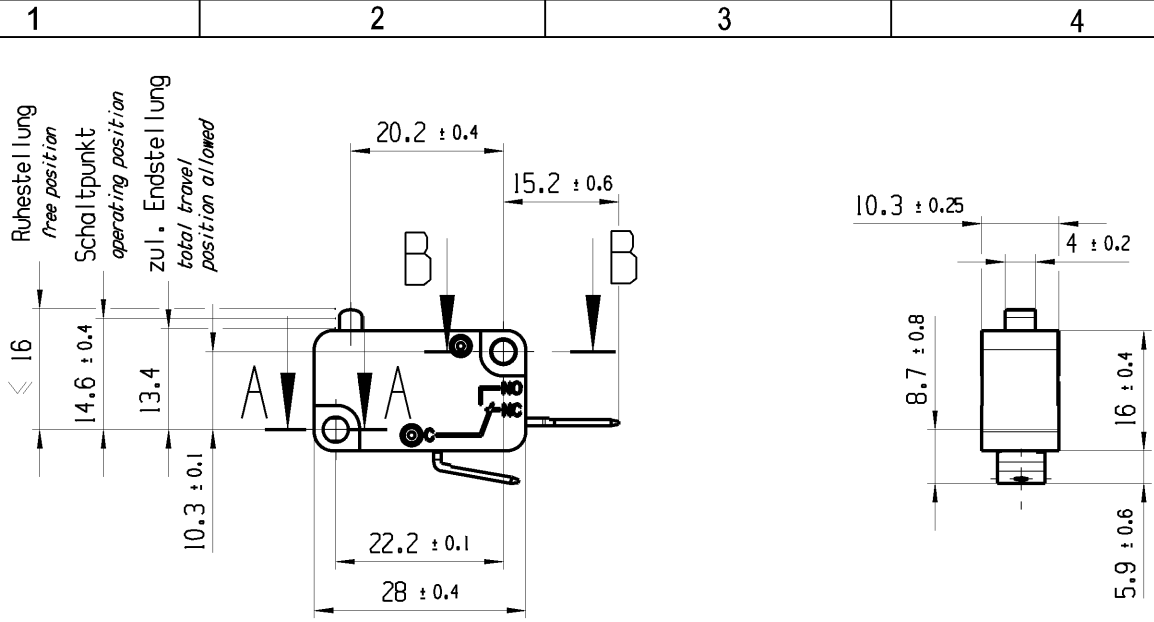


CONFIDENTIAL

VERTRAULICH

Alle Rechte bei Marquardt, auch fuer den Fall von Schutzrechtsmeldungen. Jede Veruegungsbefugnis, wie Kopier- und Weitergaberecht, bei uns.

THIS DRAWING IS THE EXCLUSIVE PROPERTY OF MARQUARDT. WITHOUT THEIR CONSENT IT MAY NOT BE REPRODUCED OR GIVEN TO THIRD PARTIES.



Flachstecker 6.3 x 0.8
EN 61058 / EN 61210 / DIN 46244
blade terminal 6.3 x 0.8
EN 61058 / 61210 / DIN 46244

A-A
2:1

B-B
2:1

3.35 ± 0.05 x 3.08 ± 0.06

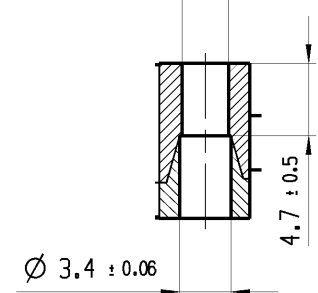
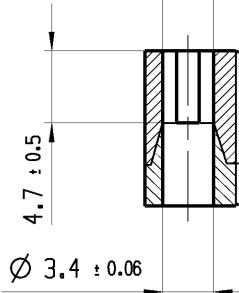
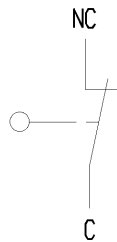
∅ 3.08 ± 0.06

Aufschrift
marking

1005 T100
10(16)A 250V AC 5E4



Herstellort /- jahr / -woche
date code of manufacture:
place / year / week



Offener 1-polig
SPNC

Schalt-Betaetigungskraft 2.6 bis 4.2 N
actuating force 2.6 up to 4.2 N

Differenzweg ≤ 1.0 mm
movement differential

-		-		-		1005.1105-XX				
Figure		Type		Customer No.		Art.No.-PI				
General tolerances				Sheet 01			Ident. K	Document number 10051105	Index f	
All dimensions are in millimetres	Shape and location ⊙ ≡	Angle ± 2 °	Edge tolerance 	Length	Radii		Format DIN A4	Projection	Scale 1:1	
				0-6	± 0.1	± 0.2				
				>6-15	± 0.15	± 0.3				
				>15-30	± 0.2	± 0.5				
				>30-70	± 0.3	± 10%				
>70-120	± 0.4									
>120	± 0.8									
f	128895	2019-10-16		HHE		Snap action switch				
e	109072	2017-08-16		TRIGUIK						
d	83050	2014-06-13		BRC						
c	28755	1999-11-25		pfu						
Index	MEC-No.	Date (YYYY-MM-DD)		Edited by		Replacement of Zg.gl.Nr.v.25.11.1999				

