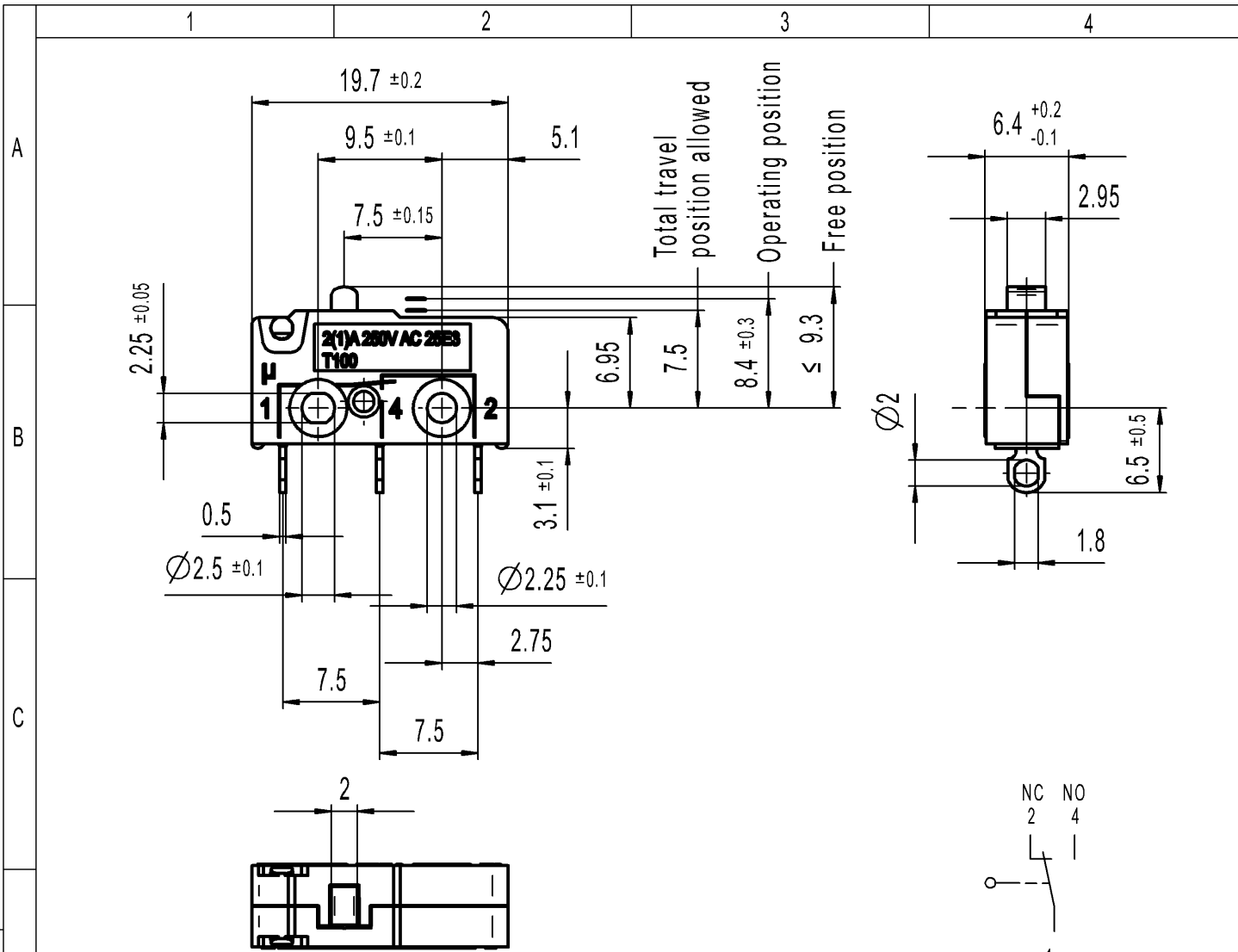


CONFIDENTIAL

VERTRAULICH

THIS DRAWING IS THE EXCLUSIVE PROPERTY OF MARQUARDT. WITHOUT THEIR CONSENT IT MAY NOT BE REPRODUCED OR GIVEN TO THIRD PARTIES.

Alle Rechte bei Marquardt, auch fuer den Fall von Schutzrechtsanmeldungen. Jede Veruegungsbefugnis, wie Kopier- und Weitergaberecht, bei uns.



Marking



1050 μ

2(1)A 250V AC 25E3
T100



Code of manufacture:
place / year / week

Single Pole Changeover

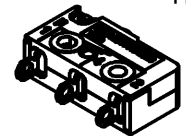
Actuating force ≤ 1.5 N

Release force ≥ 0.5 N

Movement differential ≤ 0.2 mm

Housing sealed on terminal side

Contacts gold plated



1:1

-		-		-		1050.0151-XX	
Figure		Type		Customer Part No.		Art.No.-PI	
Shape and location	Angle ± 2°	Length		Radii		Sheet	01
	Edge tolerance	0-6	± 0.2	±	0-6	± 0.2	Ident.
∅ =		>6-30	± 0.3	±	>6-30	± 0.3	Document number
g	141307	2022-03-15		HHE		Format	A4
f	38135	2003-09-12		SIG		Projection	
e	30390	2000-10-12		PFU		Scale	1:1
d	29543	2000-05-05		PFU		All dimensions are in millimetres	
Index	MEC-No.	Date (YYYY-MM-DD)		Edited by		System NX V1899	
						Replacement of	
						Zg.gl.Nr.v.25.10.1990	
						Snap Action Switch	
						MARQUARDT	