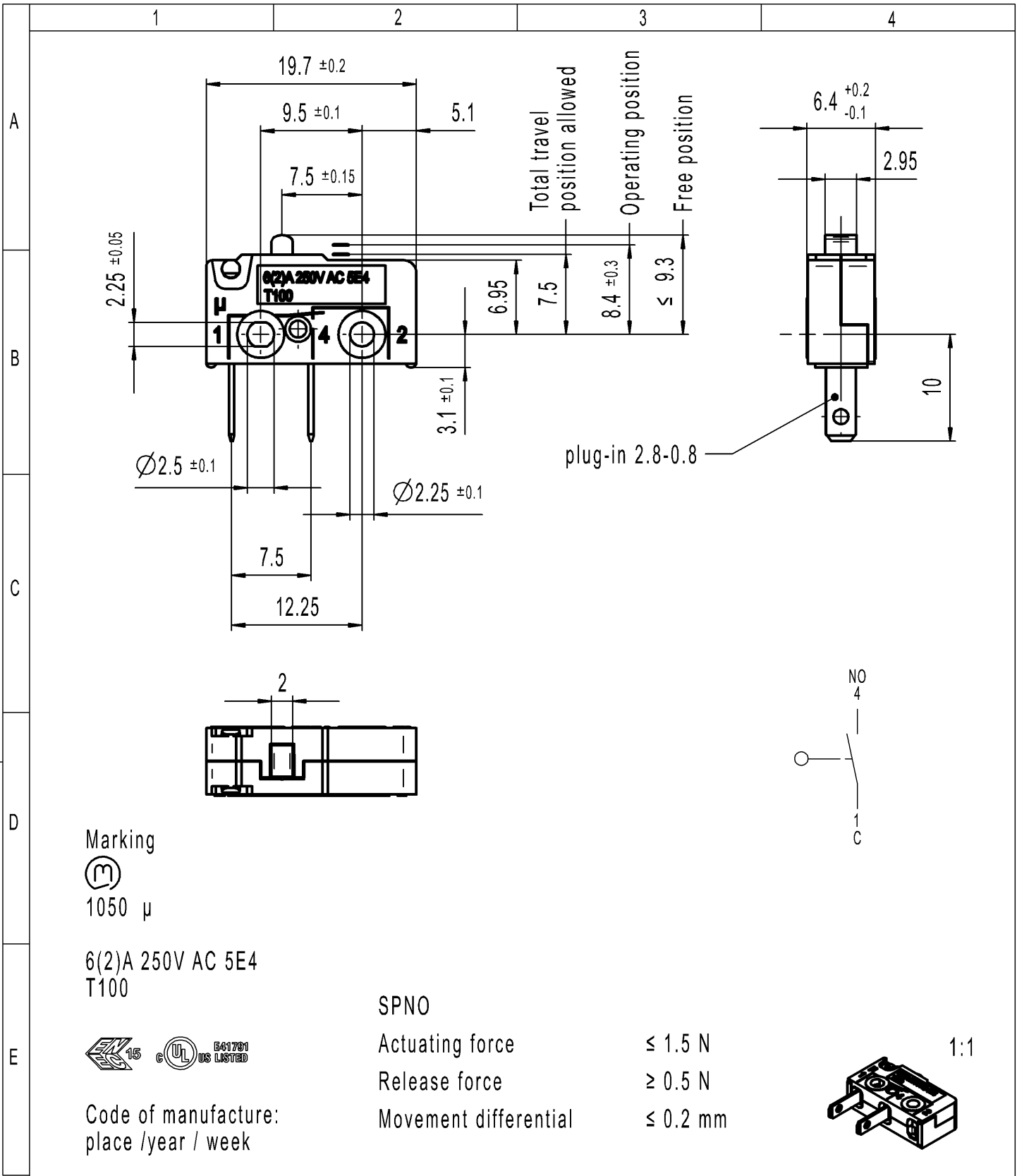


CONFIDENTIAL

VERTRAULICH

THIS DRAWING IS THE EXCLUSIVE PROPERTY OF MARQUARDT. WITHOUT THEIR CONSENT IT MAY NOT BE REPRODUCED OR GIVEN TO THIRD PARTIES.

Alle Rechte bei Marquardt, auch fuer den Fall von Schutzrechtsanmeldungen. Jede Verfuugungsbefugnis, wie Kopier- und Weitergaberecht, bei uns.



-		-		-		1050.1122-XX			
Figure		Type		Customer Part No.		Art.No.-PI			
Shape and location	Angle ± 2°	Length		Radii		Sheet 01	Ident. K	Document number 10501122	Index c
	Edge tolerance	0-6 ± 0.2	±	0-6 ± 0.2	±				
		>6-15 ± 0.3	±	>6-15 ± 0.3	±	All dimensions are in millimetres		Snap Action Switch	
		>15-30 ± 0.3	±	>15-30 ± 0.3	±	System NX V1872			
c	141307	2022-02-09		HHE		Replacement of		 MARQUARDT	
b	29547	2000-06-08		PFU		Zg.gl.Nr.v.03.12.1991			
a	22621	1994-01-19		MK					
Index	MEC-No.	Date (YYYY-MM-DD)		Edited by					