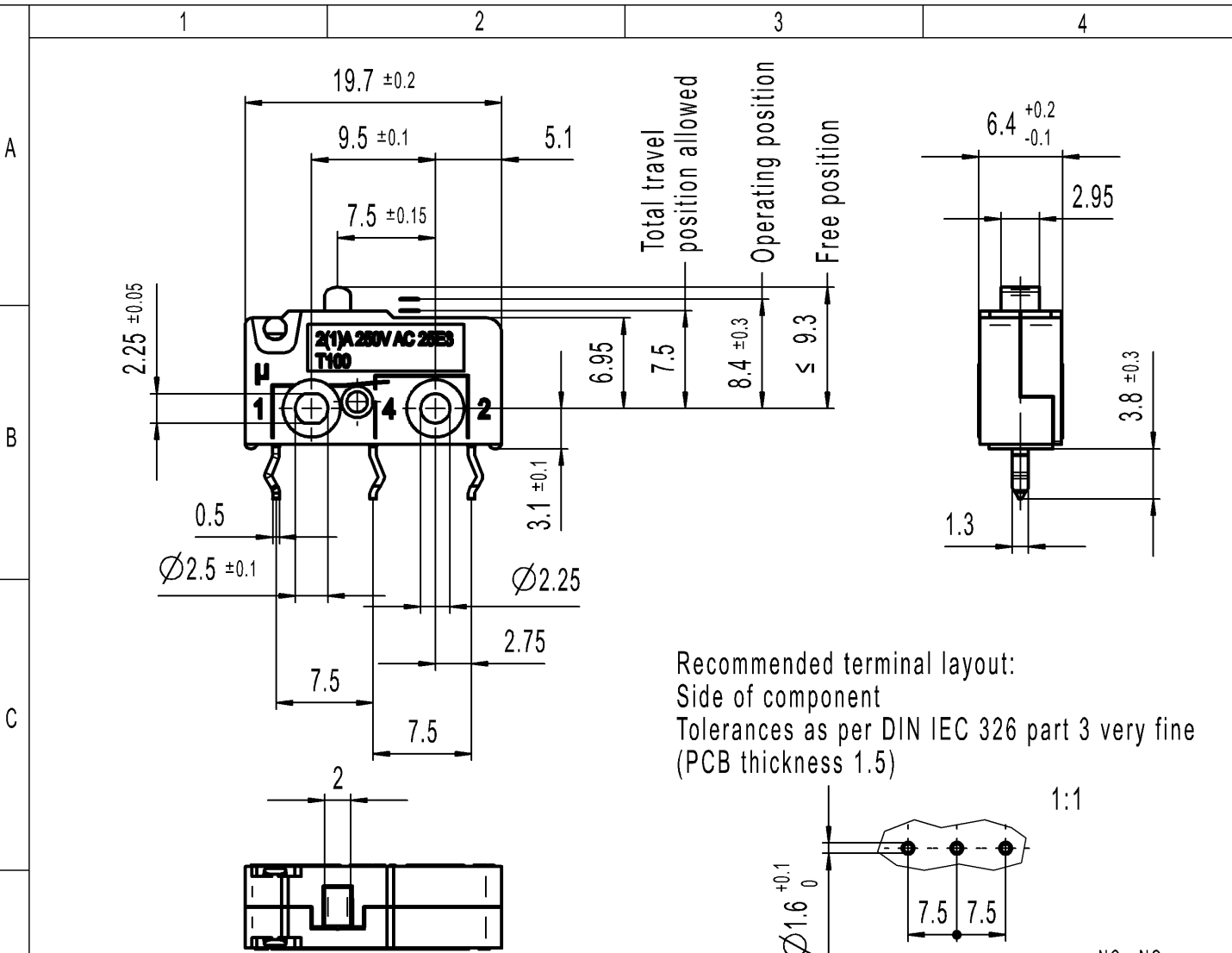


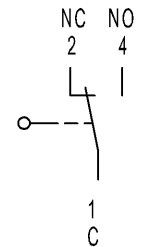
CONFIDENTIAL

VERTRAULICH

THIS DRAWING IS THE EXCLUSIVE PROPERTY OF MARQUARDT. WITHOUT THEIR CONSENT IT MAY NOT BE REPRODUCED OR GIVEN TO THIRD PARTIES.



Recommended terminal layout:  
Side of component  
Tolerances as per DIN IEC 326 part 3 very fine  
(PCB thickness 1.5)



Marking

1050 μ

2(1)A 250V AC 25E3  
T100



Single Pole Changeover

Actuating force ≤ 1.5 N

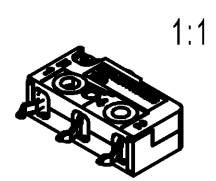
Release force ≥ 0.5 N

Movement differential ≤ 0.2 mm

Housing sealed on terminal side

Contacts gold plated

Code of manufacture:  
place / year / week



|                    |                |                   |   |                   |   |                                   |          |  |
|--------------------|----------------|-------------------|---|-------------------|---|-----------------------------------|----------|--|
| -                  |                | -                 |   | -                 |   | 1050.2151-XX                      |          |  |
| Figure             |                | Type              |   | Customer Part No. |   | Art.No.-PI                        |          |  |
| Shape and location | Angle ± 2 °    | Length            |   | Radii             |   | Sheet                             | 01       |  |
|                    | Edge tolerance | 0-6 ± 0.2         | ± | 0-6 ± 0.2         | ± | Ident.                            | K        |  |
|                    |                | >6-30 ± 0.3       | ± | >6-30 ± 0.3       | ± | Document number                   | 10502151 |  |
|                    |                |                   | ± |                   | ± | Index                             | f        |  |
|                    |                |                   | ± |                   | ± | Snap Action Switch                |          |  |
|                    |                |                   | ± |                   | ± |                                   |          |  |
|                    |                |                   | ± |                   | ± |                                   |          |  |
|                    |                |                   | ± |                   | ± |                                   |          |  |
| f                  | 141307         | 2022-03-24        |   | HHE               |   | All dimensions are in millimetres |          |  |
| e                  | 38135          | 2003-09-16        |   | SIG               |   |                                   |          |  |
| d                  | 30390          | 2000-10-12        |   | PFU               |   |                                   |          |  |
| c                  | 29543          | 2000-05-19        |   | PFU               |   |                                   |          |  |
| Index              | MEC-No.        | Date (YYYY-MM-DD) |   | Edited by         |   | System NX V1899                   |          |  |
|                    |                |                   |   |                   |   | Replacement of                    |          |  |
|                    |                |                   |   |                   |   | Zg.gl.Nr.v.05.07.1991             |          |  |

Alle Rechte bei Marquardt, auch fuer den Fall von Schutzrechtsanmeldungen. Jede Verfuugungsbedurfnis, wie Kopier- und Weitergaberecht, bei uns.

