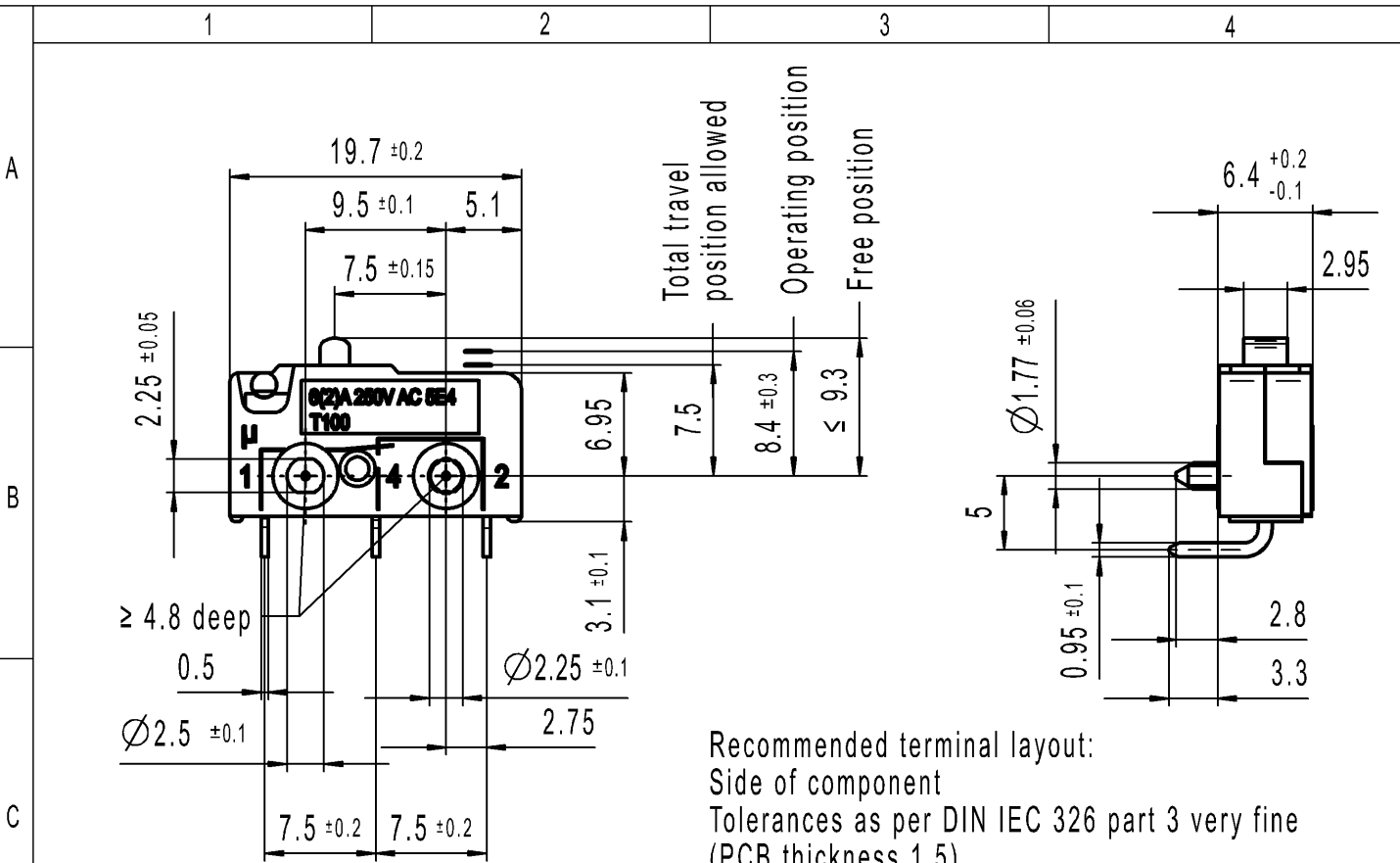


CONFIDENTIAL

VERTRAULICH

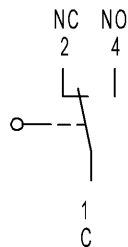
THIS DRAWING IS THE EXCLUSIVE PROPERTY OF MARQUARDT. WITHOUT THEIR CONSENT IT MAY NOT BE REPRODUCED OR GIVEN TO THIRD PARTIES.

Alle Rechte bei Marquardt, auch fuer den Fall von Schutzrechtsanmeldungen. Jede Verfertigungsbefugnis, wie Kopier- und Weitergaberecht, bei uns.



Recommended terminal layout:  
Side of component  
Tolerances as per DIN IEC 326 part 3 very fine (PCB thickness 1.5)

- fixing hole
- component



Marking  
  
 $1050 \mu$

6(2)A 250V AC 5E4  
T100



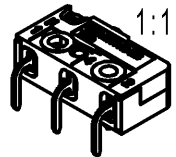
Code of manufacture:  
place / year / week

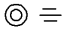
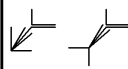
Single Pole Changeover

Actuating force  $\leq 1.5$  N

Release force  $\geq 0.5$  N

Movement differential  $\leq 0.2$  mm



-		-		-		1050.3102-XX	
Figure		Type		Customer Part No.		Art.No.-PI	
Shape and location	Angle $\pm 2^\circ$	Length		Radii		Sheet 01	Ident. K
	Edge tolerance	0-6 $\pm 0.2$	0-6 $\pm 0.2$	0-6 $\pm 0.3$	0-6 $\pm 0.3$		
		>6-15 $\pm 0.3$	>6-15 $\pm 0.3$	>15-30 $\pm 0.3$	>15-30 $\pm 0.3$	Scale 2:1	Index c
		$\pm$	$\pm$	$\pm$	$\pm$		
c		141307	2022-02-10	HHE		System NX V1872	
b		29551	2000-06-21	PFU		Replacement of	
a		0	1994-04-07	MK		Zg.gl.Nr.v.22.11.1993	
Index	MEC-No.	Date (YYYY-MM-DD)	Edited by		MARQUARDT		