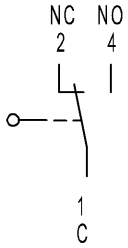
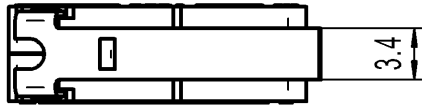
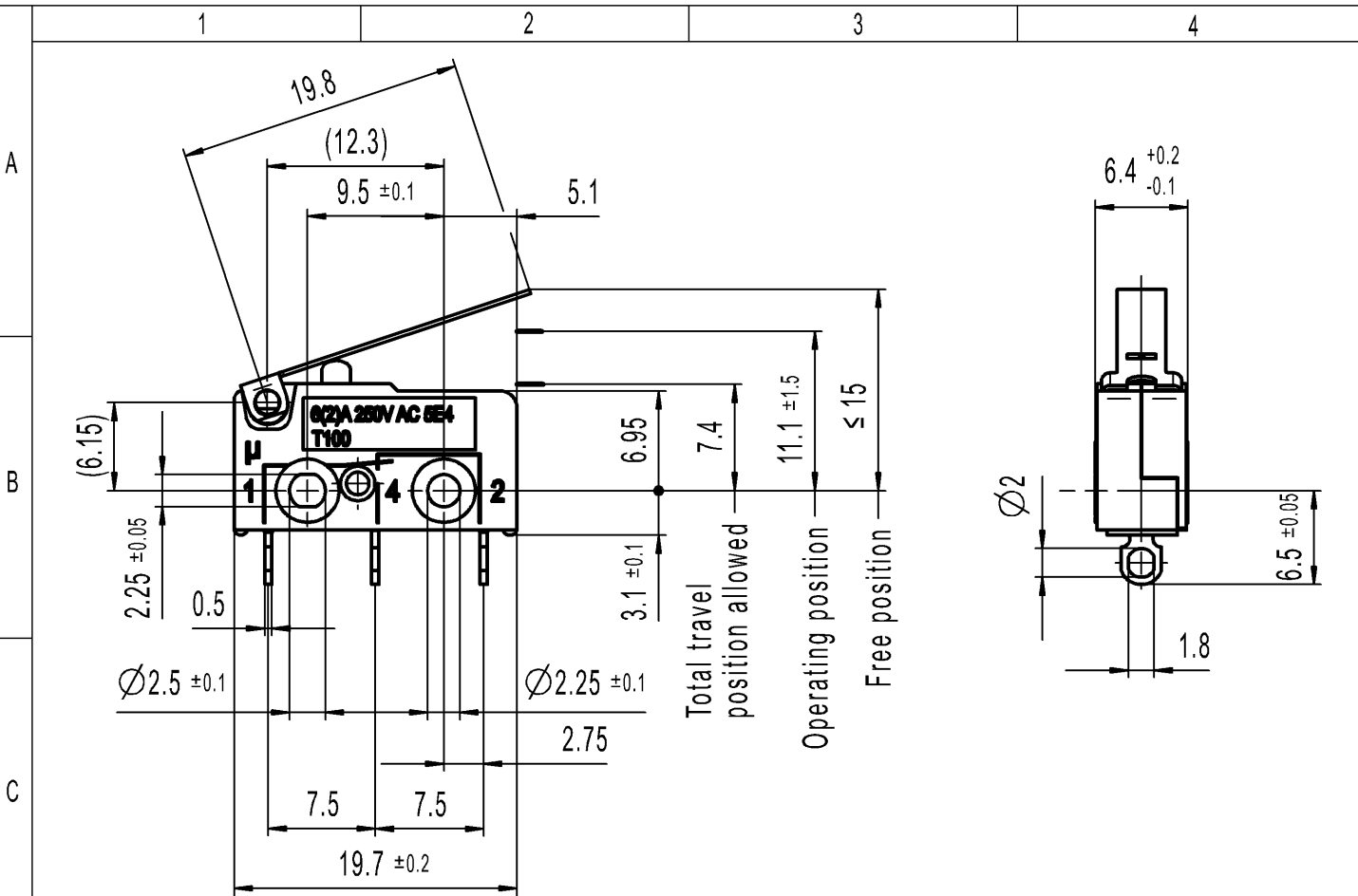


CONFIDENTIAL

VERTRAULICH

Alle Rechte bei Marquardt, auch fuer den Fall von Schutzrechtsanmeldungen. Jede Verfuugungsbezugnis, wie Kopier- und Weitergaberecht, bei uns.

THIS DRAWING IS THE EXCLUSIVE PROPERTY OF MARQUARDT. WITHOUT THEIR CONSENT IT MAY NOT BE REPRODUCED OR GIVEN TO THIRD PARTIES.



Marking  
 1050 μ

6(2)A 250V AC 5E4  
 T100

Single Pole Changeover  
 Actuating force ≤ 0.5 N  
 Release force ≥ 0.1 N  
 Movement differential ≤ 1.0 mm

Code of manufacture:  
 place / year / week

Housing sealed on terminal side



1:1

-	-	-	1050.5202-XX
Figure	Type	Customer Part No.	Art.No.-PI
Shape and location	Angle ± 2 °	Sheet 01	Ident. K
	Edge tolerance	Format DIN A4	Document number 10505202
	Length	Projection	Index c
	0-6 ± 0.2	Scale 2:1	Snap Action Switch
	>6-30 ± 0.3	All dimensions are in millimetres	
	Radii	System NX V1872	
	0-6 ± 0.2	Replacement of	
	>6-30 ± 0.3	Zg.gl.Nr.v.05.05.1992	
c	141307	2022-02-10	HHE
b	29551	2000-06-21	PFU
a	0	1994-07-07	MK
Index	MEC-No.	Date (YYYY-MM-DD)	Edited by