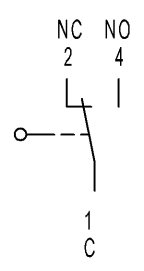
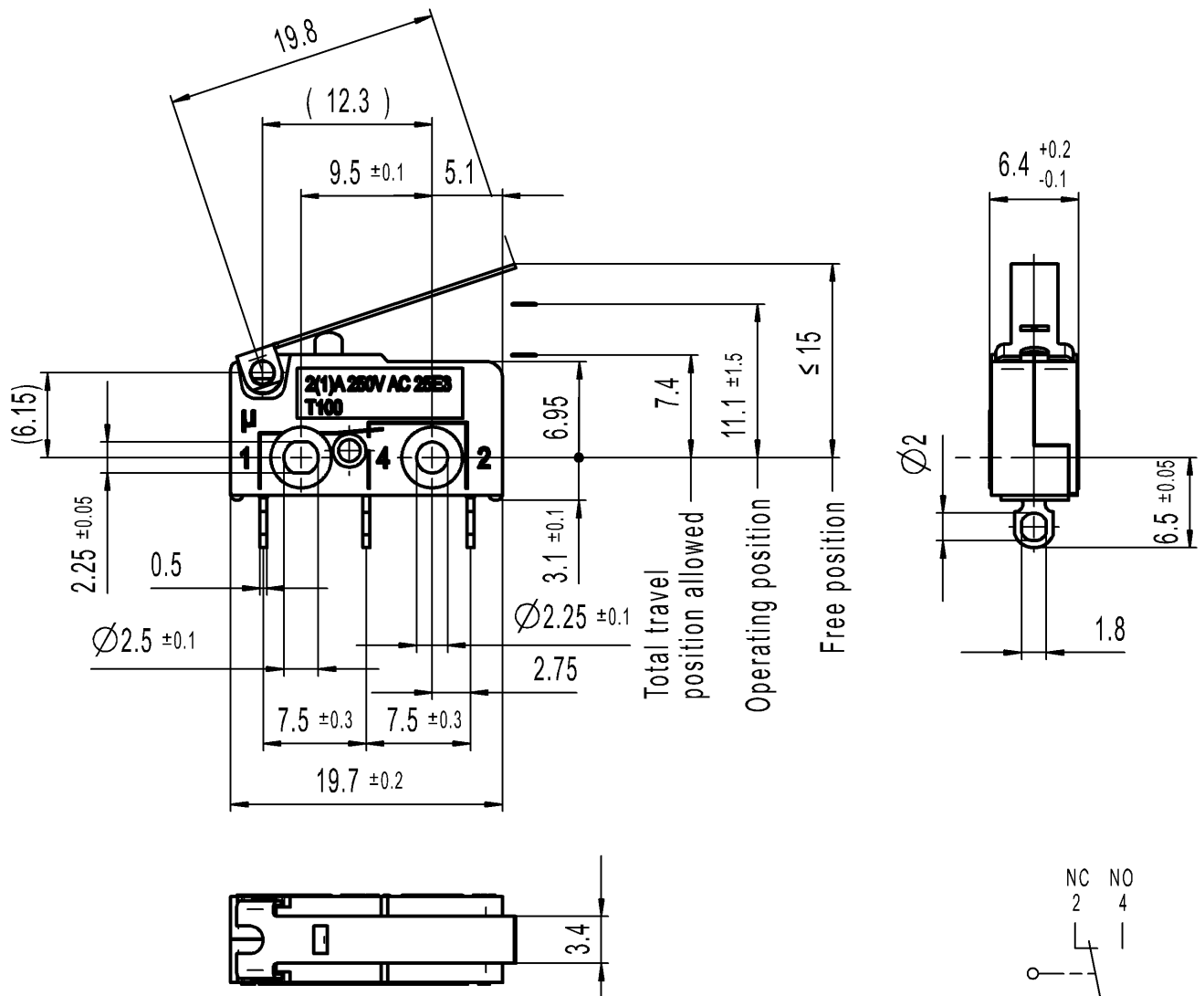


CONFIDENTIAL

VERTRAULICH

THIS DRAWING IS THE EXCLUSIVE PROPERTY OF MARQUARDT. WITHOUT THEIR CONSENT IT MAY NOT BE REPRODUCED OR GIVEN TO THIRD PARTIES.



Marking



1050 µ

2(1)A 250V AC 25E3  
T100



Code of manufacture:  
place / year / week

Single Pole Changeover

Actuating force ≤ 0.5 N

Release force ≥ 0.1 N

Movement differential ≤ 1.0 mm

Contacts gold plated

Housing sealed on terminal side



1:1

Alle Rechte bei Marquardt, auch fuer den Fall von Schutzrechtsanmeldungen. Jede Veruegungsbefugnis, wie Kopier- und Weitergaberecht, bei uns.

-		-		-		1050.5251-XX	
Figure		Type		Customer Part No.		Art.No.-PI	
Shape and location	Angle ± 2 °	Length		Radii		Sheet 01	Ident. K
	Edge tolerance	0-6 ± 0.2	± 0.3	0-6 ± 0.2	± 0.3		
⊙ ≡		>6-30	± 0.3	>6-30	± 0.3	Format DIN A4	Projection
			±		±		
f	141307	2022-04-05		HHE		All dimensions are in millimetres	
e	38135	2003-09-17		SIG		Snap Action Switch	
d	30390	2000-10-12		PFU		System NX V1899	
c	29543	2000-05-19		PFU			
Index	MEC-No.	Date (YYYY-MM-DD)		Edited by		Replacement of Zg.gl.Nr.v.24.03.1993	

