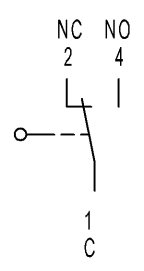
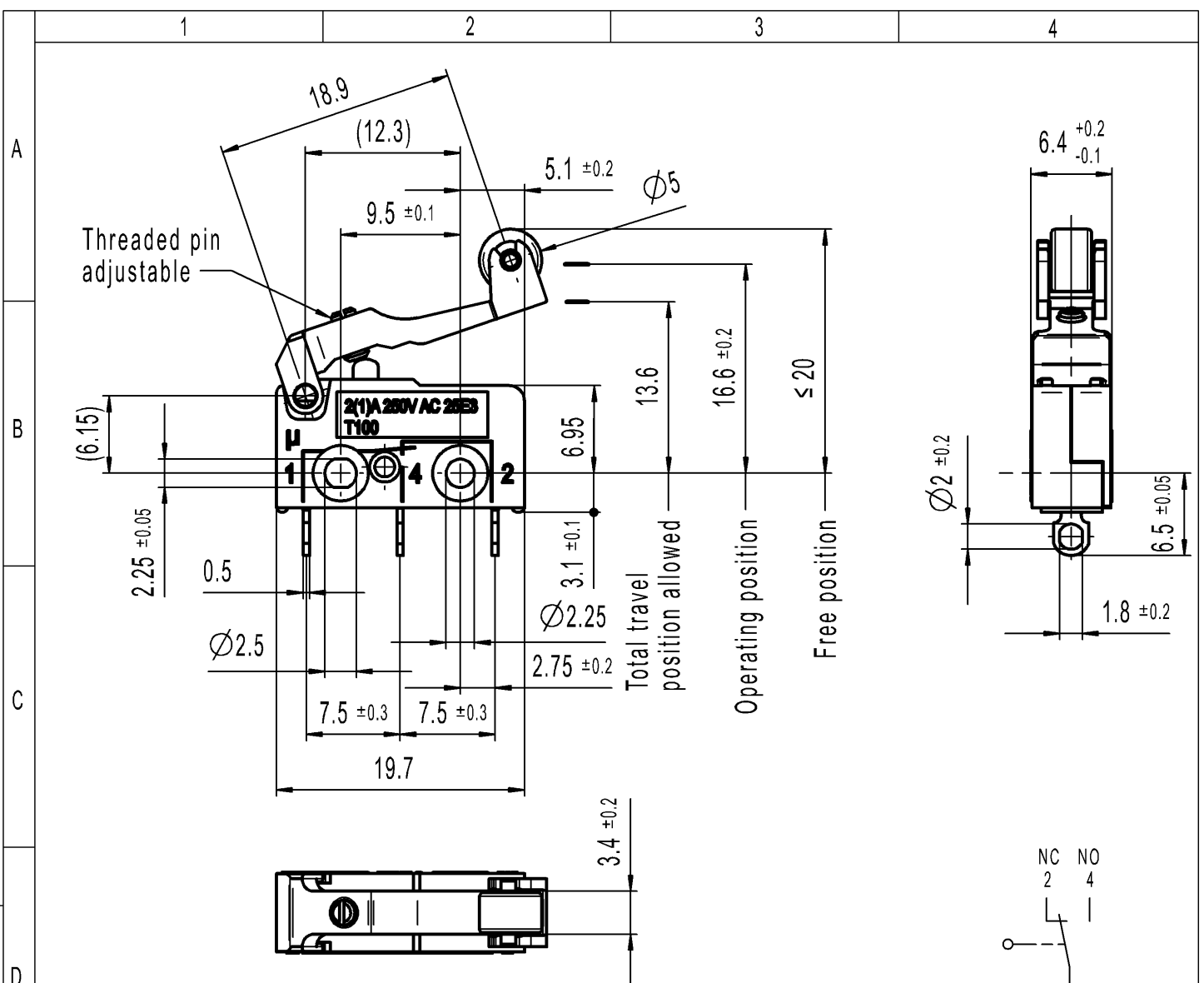


THIS DRAWING IS THE EXCLUSIVE PROPERTY OF MARQUARDT. WITHOUT THEIR CONSENT IT MAY NOT BE REPRODUCED OR GIVEN TO THIRD PARTIES.

CONFIDENTIAL

VERTRAULICH



Marking



1050 μ

2(1)A 250V AC 25E3
T100



Code of manufacture:
place / year / week

Single Pole Changeover

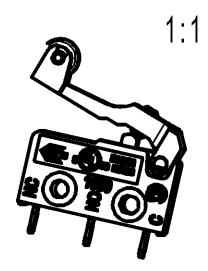
Actuating force ≤ 0.6 N

Release force ≥ 0.1 N

Movement differential ≤ 1.0 mm

Contacts gold plated

Housing sealed on terminal side



-	-	-	1050.5305-XX
Figure	Type	Customer Part No.	Art.No.-PI
Shape and location	Angle ± 2 °	Sheet 01	Ident. K
	Edge tolerance	Format DIN A4	Document number 10505305
	Length	Projection	Index c
	Radii	Scale 1:1	
		All dimensions are in millimetres	Snap Action Switch
c	141307	System NX V1899	<p>MARQUARDT</p>
b	38135	Replacement of	
a	33738	Zg.gl.Nr.v.22.01.2002	
Index	MEC-No.		
	Date (YYYY-MM-DD)		

Alle Rechte bei Marquardt, auch fuer den Fall von Schutzrechtsanmeldungen. Jede Veruegungsbezugnis, wie Kopier- und Weitergaberecht, bei uns.