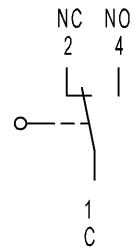
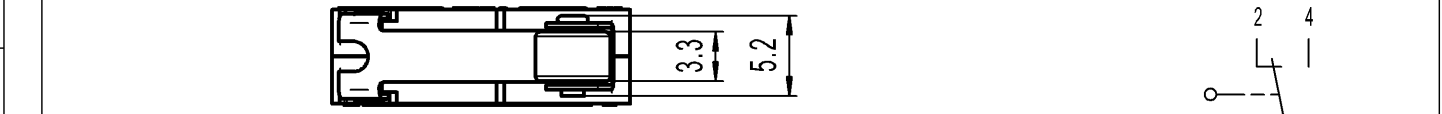
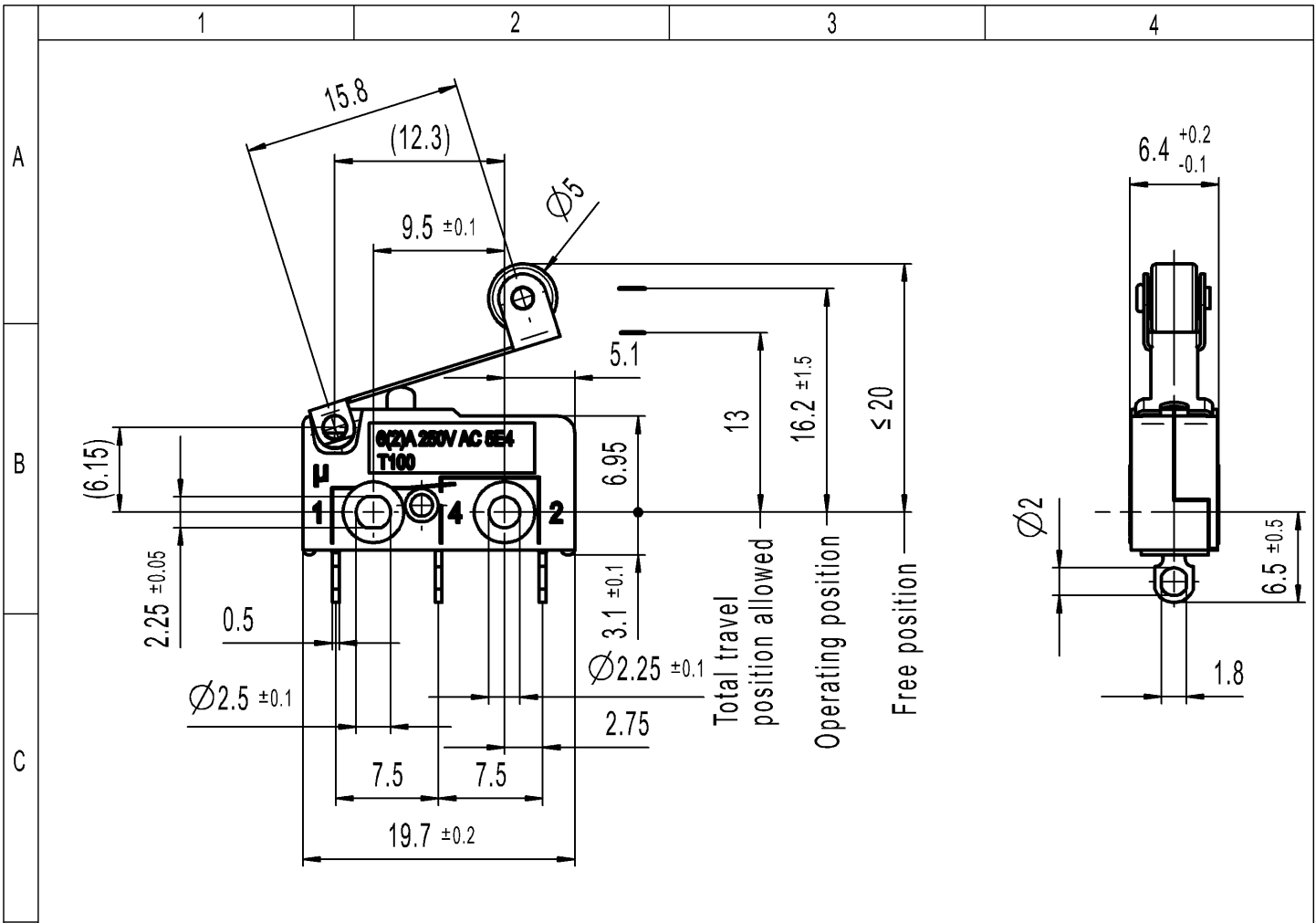


CONFIDENTIAL

VERTRAULICH

THIS DRAWING IS THE EXCLUSIVE PROPERTY OF MARQUARDT. WITHOUT THEIR CONSENT IT MAY NOT BE REPRODUCED OR GIVEN TO THIRD PARTIES.

Alle Rechte bei Marquardt, auch fuer den Fall von Schutzrechtsanmeldungen. Jede Verfuugungsbefugnis, wie Kopier- und Weitergaberecht, bei uns.



Marking
 1050 µ

6(2)A 250V AC 5E4
 T100



Single Pole Changeover
 Actuating force ≤ 0.6 N
 Release force ≥ 0.12 N
 Movement differential ≤ 1.0 mm
 Housing sealed on terminal side

Code of manufacture:
 place / year / week



-	-	-	1050.5702-XX
Figure	Type	Customer Part No.	Art.No.-PI
Shape and location	Angle ± 2 °	Sheet 01	Ident. K
	Edge tolerance	Format DIN A4	Document number 10505702
	Length	Projection	Index c
	Radii	Scale 2:1	Snap Action Switch
All dimensions are in millimetres		System NX V1872	
c	141307	2022-02-10	HHE
b	29551	2000-06-21	PFU
a	0	1994-07-07	MK
Index	MEC-No.	Date (YYYY-MM-DD)	Edited by
Replacement of		Zg.gl.Nr.v.06.05.1992	

