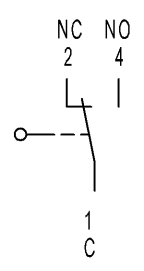
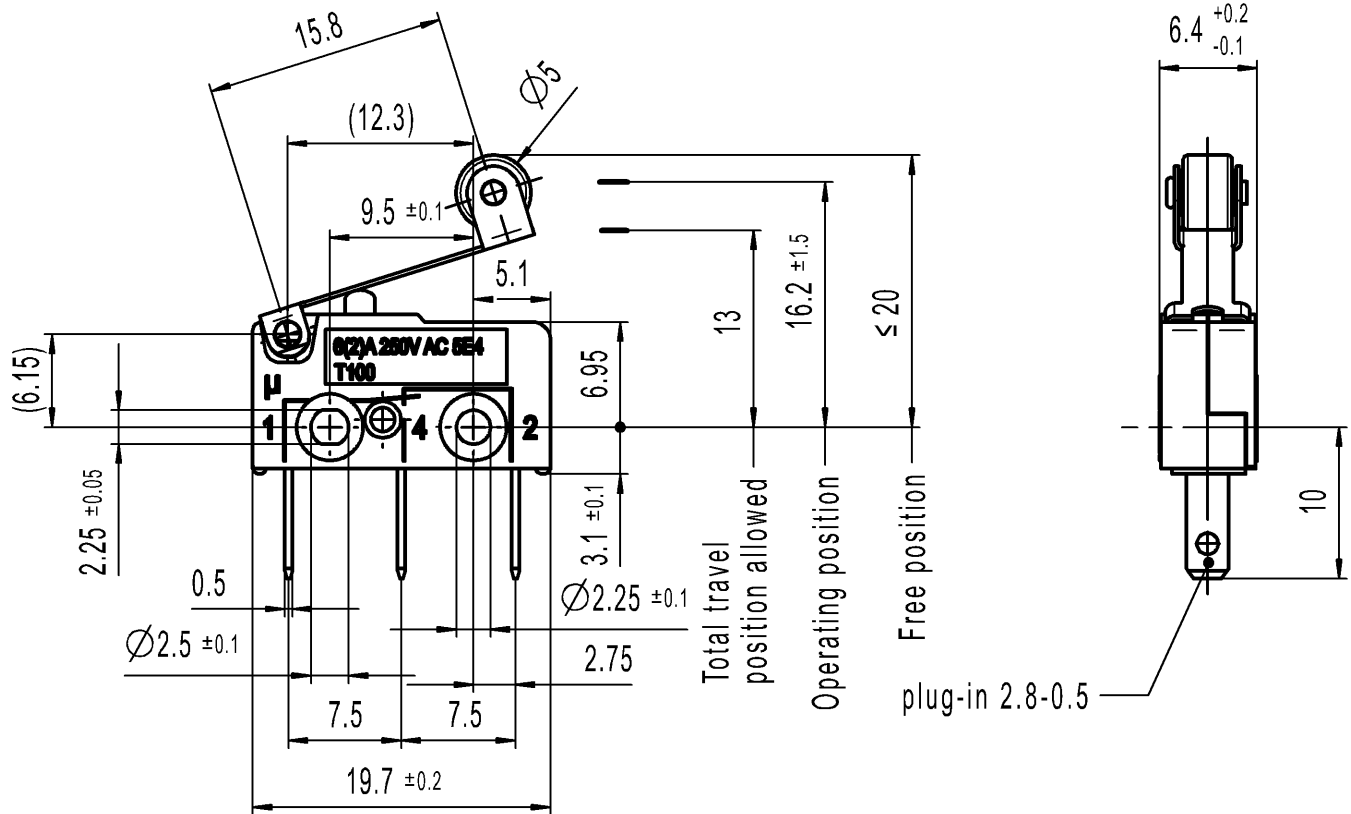


CONFIDENTIAL

VERTRAULICH

Alle Rechte bei Marquardt, auch fuer den Fall von Schutzrechtsanmeldungen. Jede Veruegungsbefugnis, wie Kopier- und Weitergaberecht, bei uns.

THIS DRAWING IS THE EXCLUSIVE PROPERTY OF MARQUARDT. WITHOUT THEIR CONSENT IT MAY NOT BE REPRODUCED OR GIVEN TO THIRD PARTIES.



Marking



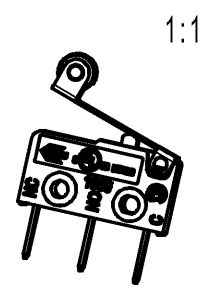
6(2)A 250V AC 5E4  
T100

Single Pole Changeover



Actuating force ≤ 0.6 N  
Release force ≥ 0.12 N  
Movement differential ≤ 1.0 mm

Code of manufacture:  
place / year / week



-	-	-	1050.6702-XX
Figure	Type	Customer Part No.	Art.No.-PI
Shape and location	Angle ± 2 °	Sheet 01	Ident. K
	Edge tolerance	Format DIN A4	Document number 10506702
	Length	Projection	Index c
	0-6 ± 0.2	Scale 2:1	Snap Action Switch
	>6-30 ± 0.3	All dimensions are in millimetres	
	Radial	System NX V1872	MARQUARDT
	0-6 ± 0.2	Replacement of	
	>6-30 ± 0.3	Zg.gl.Nr.v.03.11.1992	
c	141307	2022-02-14	
b	29551	2000-06-21	
a	22621	1994-01-19	
Index	MEC-No.	Date (YYYY-MM-DD)	Edited by