

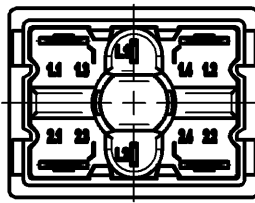
THIS DRAWING IS THE EXCLUSIVE PROPERTY OF MARQUARDT. WITHOUT THEIR CONSENT IT MAY NOT BE REPRODUCED OR GIVEN TO THIRD PARTIES.

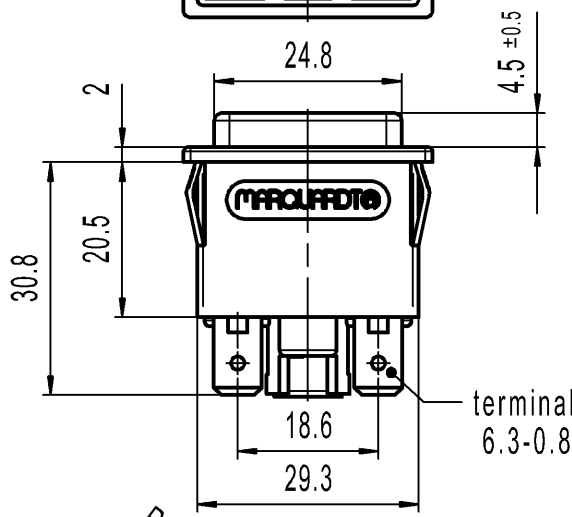
CONFIDENTIAL

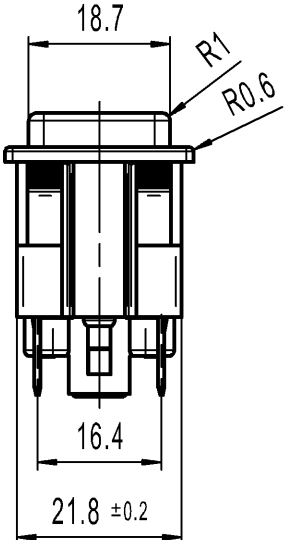
VERTRAULICH

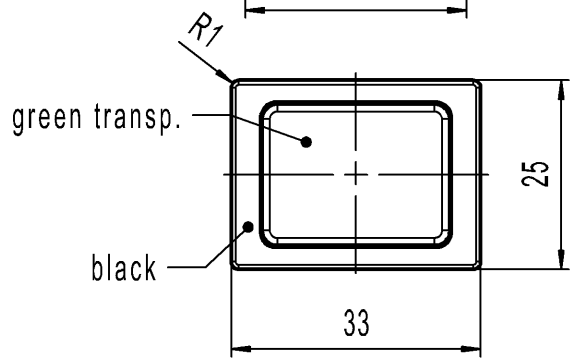
Alle Rechte bei Marquardt, auch fuer den Fall von Schutzrechtsanmeldungen. Jede Veruegungsbefugnis, wie Kopier- und Weitergaberecht, bei uns.

A	recommended cut-out for snap-in fixing (edge opposite to snap-in direction)	1	2	3	4	
				wall thickness	length of cut-out	width of cut-out
				0.75 to 1	30 +0.1	22.2 +0.2
				>1 to 1.5	30.2 +0.1	22.2 +0.2
		>1.5 to 3	30.4 +0.1	22.2 +0.2		



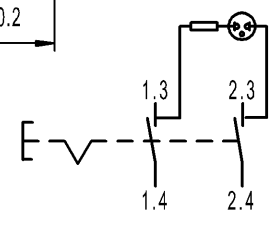




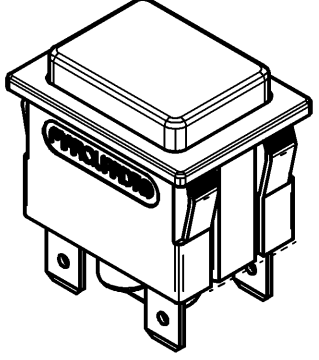


green transp.

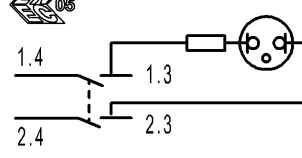
black



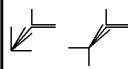

DPST  
Neon lamp with Rv for 230 V AC  
Total travel 4±0.4  
Suitable for appliances of class II



**Marking**  
MARQUARDT®  
1660.  
16(4)/250~ T85/55



Code of manufacture: place/year/week

-		-		-		1660.0202-XX	
Figure		Type		Customer Part No.		Art.No.-PI	
Shape and location	Angle ± 2°	Length		Radii		Sheet	01
	Edge tolerance	0-6	± 0.2	±	± 0.2	Ident.	K
		>6-15	± 0.4	±	±	Document number	16600202
		>15-30	± 0.4	±	±	Index	i
		>30-70	± 0.6	±	±	Appliance Switch	
		±	±	±	±		
i	137245	2021-04-30		JOSHIO		 <b>MARQUARDT</b>	
h	32547	2002-05-08		SIG			
g	28075	1999-10-12		MUT			
f	26325	1998-08-15		BB			
Index	MEC-No.	Date (YYYY-MM-DD)		Edited by		System NX V1872 Replacement of Zg.gl.Nr.v.15.08.1998	