

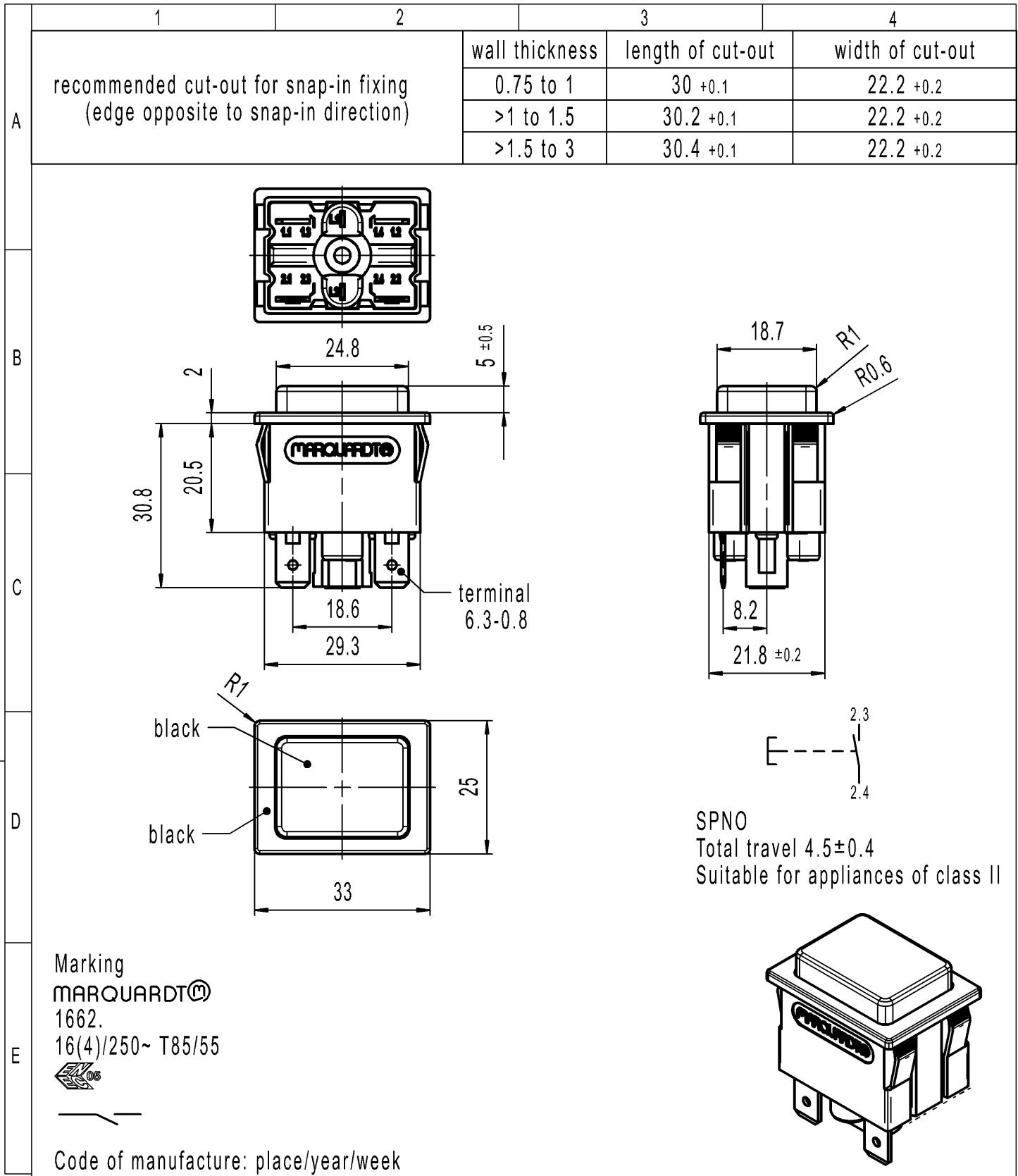
THIS DRAWING IS THE EXCLUSIVE PROPERTY OF MARQUARDT. WITHOUT THEIR CONSENT IT MAY NOT BE REPRODUCED OR GIVEN TO THIRD PARTIES.

CONFIDENTIAL

VERTRAULICH

Alle Rechte bei Marquardt, auch fuer den Fall von Schutzrechtsanmeldungen. Jede Verfuugungsbezugnis, wie Kopier- und Weitergaberecht, bei uns.

©



-	-	-	1662.0101-XX
Figure	Type	Customer Part No.	Art.No.-PI
Shape and location	Angle ± 2°	Sheet 01	Ident. K
	Edge tolerance	Format DIN A4	Document number 16620101
⊙ ≡	Length	Projection	Index g
	0-6 ± 0.2	Scale 1:1	Appliance Switch
	>6-15 ± 0.4	All dimensions are in millimetres	
	>15-30 ± 0.4		System NX V1872
	>30-70 ± 0.6	Replacement of	
	±		Zg.gl.Nr.v.05.11.1998
	±	MARQUARDT	
	±		
	±		
	±		
	±		
	±		
	±		
g	137245	2021-04-30	JOSHIO
f	66310	2009-12-14	HHE
e	32547	2002-05-27	SIG
d	28075	1999-10-12	MUT
Index	MEC-No.	Date (YYYY-MM-DD)	Edited by