

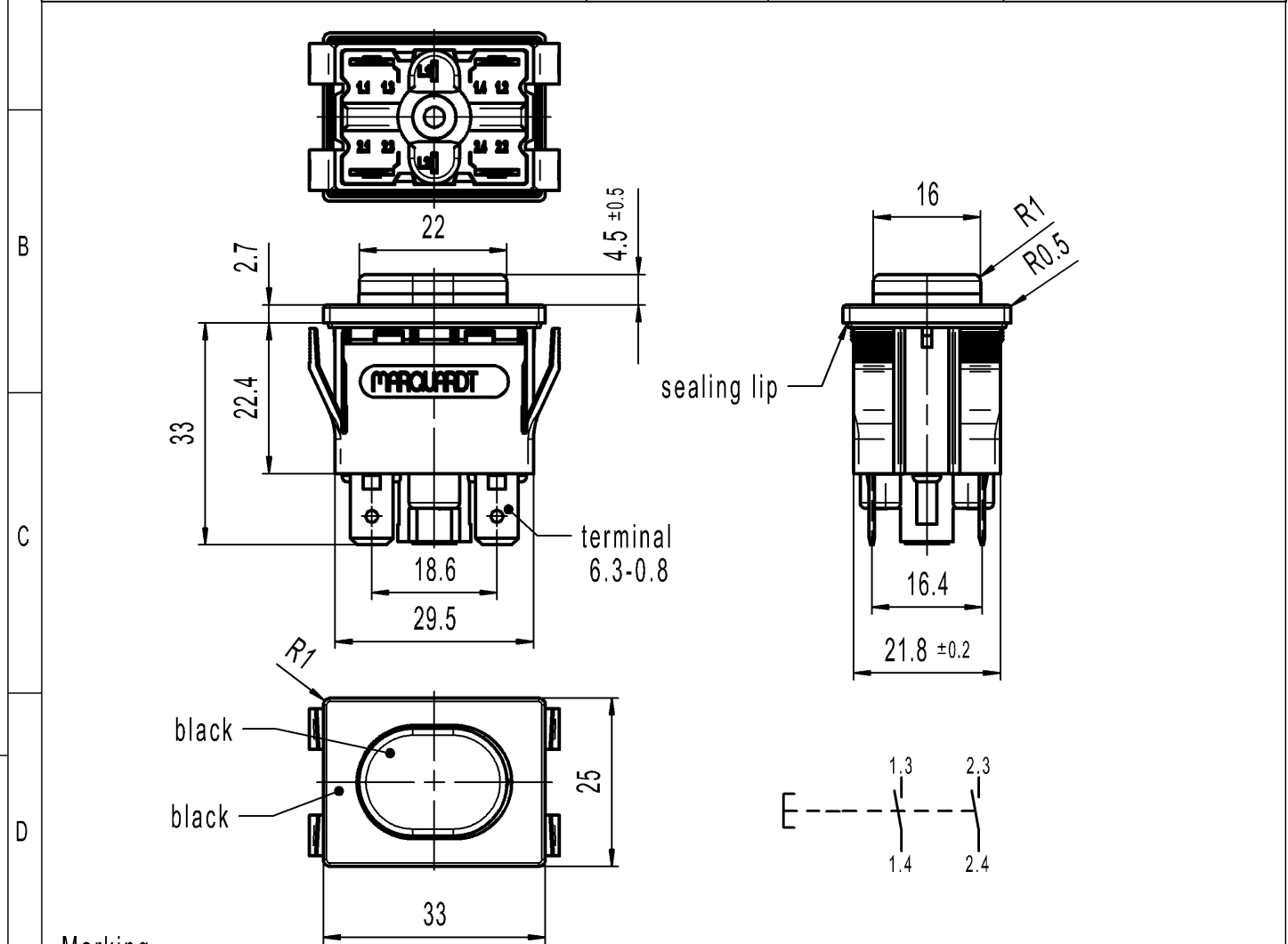
CONFIDENTIAL

VERTRAULICH

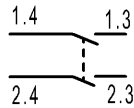
Alle Rechte bei Marquardt, auch fuer den Fall von Schutzrechtsanmeldungen. Jede Veruegungsbefugnis, wie Kopier- und Weitergaberecht, bei uns.

THIS DRAWING IS THE EXCLUSIVE PROPERTY OF MARQUARDT. WITHOUT THEIR CONSENT IT MAY NOT BE REPRODUCED OR GIVEN TO THIRD PARTIES.

A	1	2	3	4
	recommended cut-out for snap-in fixing (edge opposite to snap-in direction)		wall thickness 0.8 to 5	length of cut-out 30 +0.15

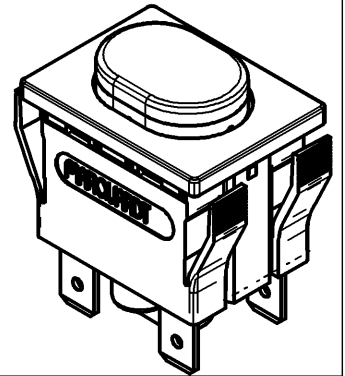


Marking  
MARQUARDT®  
1671.  
16(4)/250~ T85/55



Code of manufacture: place/year/week

DPNO  
Total travel  $4 \pm 0.5$   
Suitable for appliances of class II  
Actuating side protected acc. to  
DIN 40 050, IP 54



-	-	-	1671.5101-XX
Figure	Type	Customer Part No.	Art.No.-PI
Shape and location	Angle $\pm 2^\circ$	Sheet 01	Ident. K
	Edge tolerance	Format DIN A4	Document number 16715101
	Length	Projection	Index a
	Radii	Scale 1:1	Appliance Switch
		All dimensions are in millimetres	
a	137245	System NX V1872	 <b>MARQUARDT</b>
	36107	Replacement of	
Index	MEC-No.	Zg.gl.Nr.v.17.04.2003	
	Date (YYYY-MM-DD)	Edited by	