

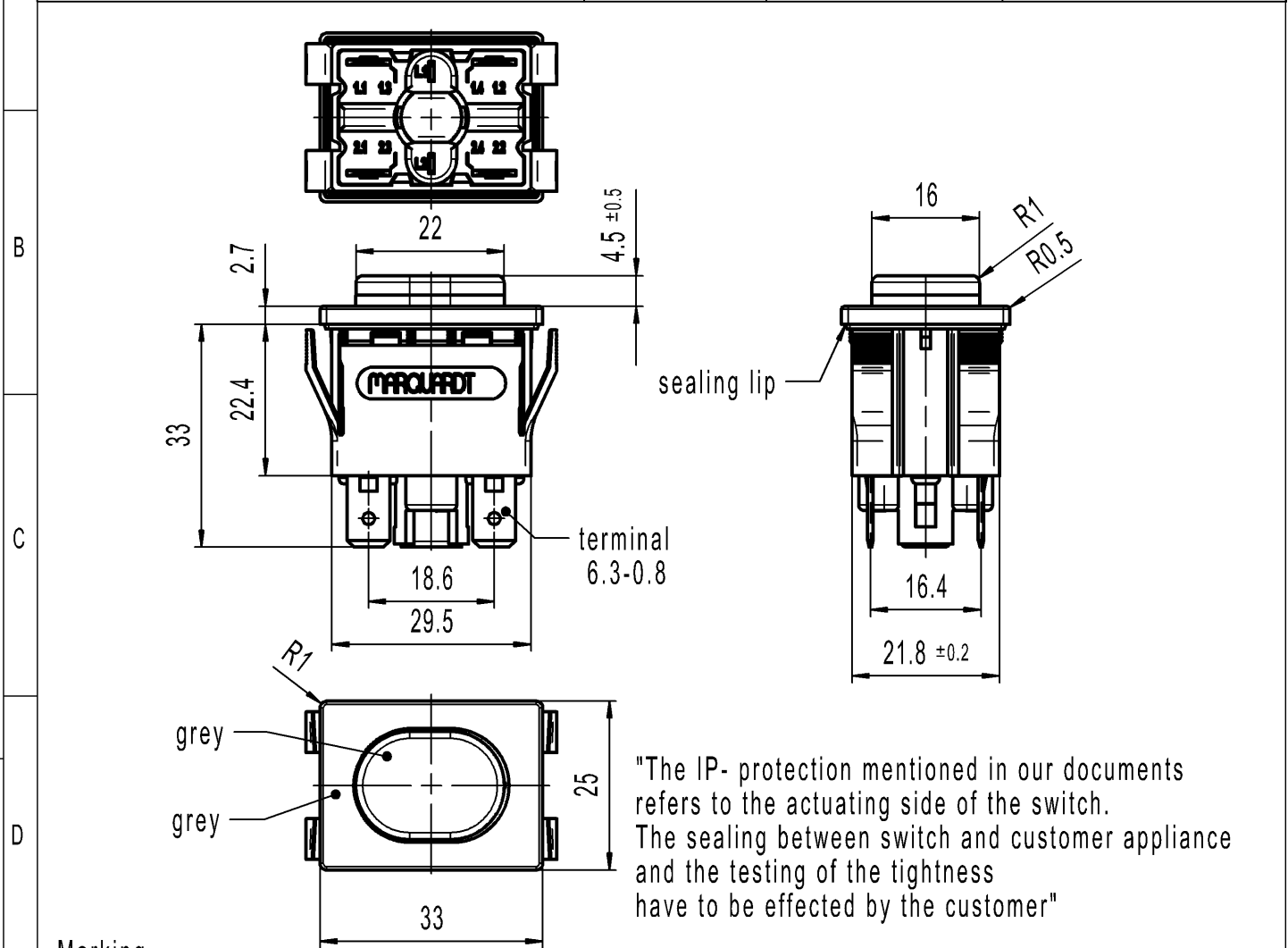
THIS DRAWING IS THE EXCLUSIVE PROPERTY OF MARQUARDT. WITHOUT THEIR CONSENT IT MAY NOT BE REPRODUCED OR GIVEN TO THIRD PARTIES.

CONFIDENTIAL

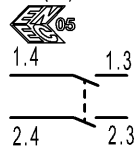
VERTRAULICH

Alle Rechte bei Marquardt, auch fuer den Fall von Schutzrechtsanmeldungen. Jede Verfuugungsbedurfnis, wie Kopier- und Weitergaberecht, bei uns.

A	1	2	3	4	
	recommended cut-out for snap-in fixing (edge opposite to snap-in direction)		wall thickness	length of cut-out	width of cut-out
			0.8 to 5	30 +0.15	22.2 +0.15

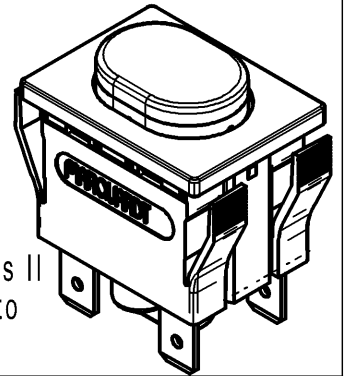


Marking
MARQUARDT®
1671.
16(4)/250~ T85/55



Code of manufacture: place/year/week
On box: Customer Part No. see variant table

DPST
Total travel 4±0.4
Suitable for appliances of class II
Actuating side protected acc. to
DIN 40 050, IP 54



-	-	9526892	1671.5203-XX
Figure	Type	Customer Part No.	Art.No.-PI
Shape and location	Angle ± 2 °	Sheet 01	Ident. K
	Edge tolerance	Format DIN A4	Document number 16715203
	Length	Projection	Index f
	Radial	Scale 1:1	Appliance Switch
		All dimensions are in millimetres	
f	137245	2021-04-30	JOSHIO
e	91258	2014-08-26	HHE
d	36501	2003-09-01	VOR
c	32547	2002-08-28	WJ
Index	MEC-No.	Date (YYYY-MM-DD)	Edited by
			System NX V1872
			Replacement of
			Zg.gl.Nr.v.10.03.1997

