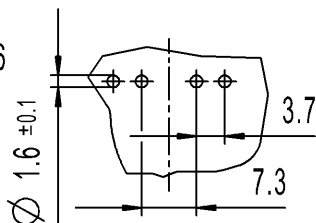


CONFIDENTIAL

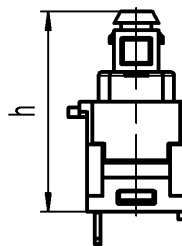
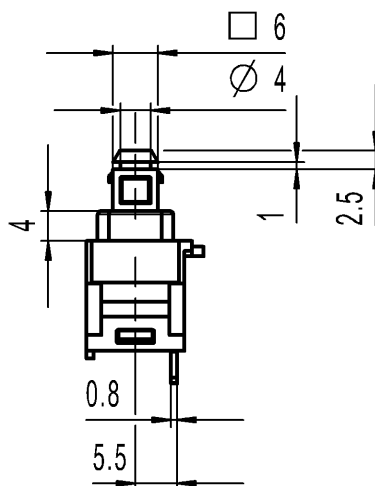
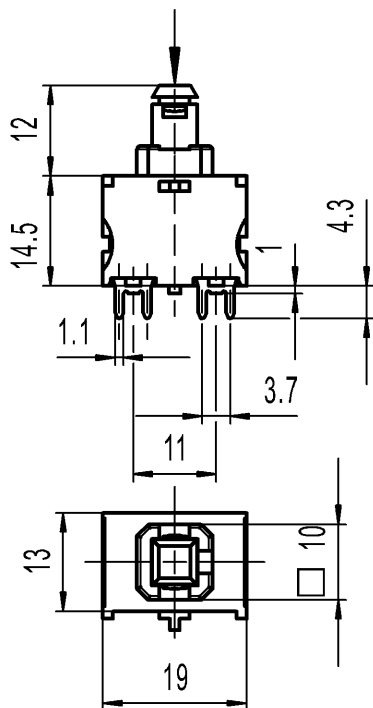
VERTRAULICH

THIS DRAWING IS THE EXCLUSIVE PROPERTY OF MARQUARDT. WITHOUT THEIR CONSENT IT MAY NOT BE REPRODUCED OR GIVEN TO THIRD PARTIES.

recommended terminal layout;
side of component
tolerances as per DIN IEC 326
item 3 very fine



operating force
 $F = 7N \pm 2.5N$



operating position	h
OFF	26.5
ON	23.8
block	22.2

Marking

Ⓜ
168..
12 (12) / 250 ~ 5E4 T100/55



12A 125-250 VAC
1/2 HP 125-250 VAC
R97

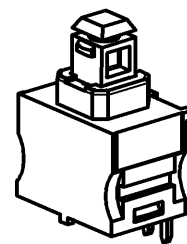


SPST



Suitable for appliances of class II

Code of manufacture:
place/year/week
on box: G



G=matching IEC 60335-1: 2001 clause 30

Alle Rechte bei Marquardt, auch fuer den Fall von Schutzrechtsanmeldungen. Jede Verfuugungsbefugnis, wie Kopier- und Weitergaberecht, bei uns.

-	-	-	1681.2102-XX																			
Figure	Type	Customer Part No.	Art.No.-PI																			
Shape and location	Angle $\pm 2^\circ$	Sheet 01	Ident. K																			
	Edge tolerance			Document number 16812102																		
Ⓜ =	<table border="1"> <thead> <tr> <th>Length</th> <th>Radii</th> </tr> </thead> <tbody> <tr><td>0-6</td><td>± 0.2</td></tr> <tr><td>>6-15</td><td>± 0.4</td></tr> <tr><td>>15-30</td><td>± 0.4</td></tr> <tr><td></td><td>\pm</td></tr> <tr><td></td><td>\pm</td></tr> <tr><td></td><td>\pm</td></tr> <tr><td></td><td>\pm</td></tr> <tr><td></td><td>\pm</td></tr> <tr><td></td><td>\pm</td></tr> </tbody> </table>	Length	Radii	0-6	± 0.2	>6-15	± 0.4	>15-30	± 0.4		\pm		\pm		\pm		\pm		\pm		\pm	Index b
		Length	Radii																			
0-6	± 0.2																					
>6-15	± 0.4																					
>15-30	± 0.4																					
	\pm																					
	\pm																					
	\pm																					
	\pm																					
	\pm																					
	\pm																					
<table border="1"> <thead> <tr> <th>Format DIN</th> <th>Projection</th> <th>Scale</th> </tr> </thead> <tbody> <tr> <td>A4</td> <td></td> <td>1:1</td> </tr> </tbody> </table>	Format DIN	Projection	Scale	A4		1:1	Appliance Switch															
Format DIN	Projection	Scale																				
A4		1:1																				
b	136744	2021-07-16	JOSHIO																			
a	47885	2006-06-13	HHE																			
	44406	2005-08-15	hhe																			
Index	MEC-No.	Date (YYYY-MM-DD)	Edited by																			
		All dimensions are in millimetres																				
		System NX V1872																				
		Replacement of Zg.gl.Nr.v.15.08.2005																				