

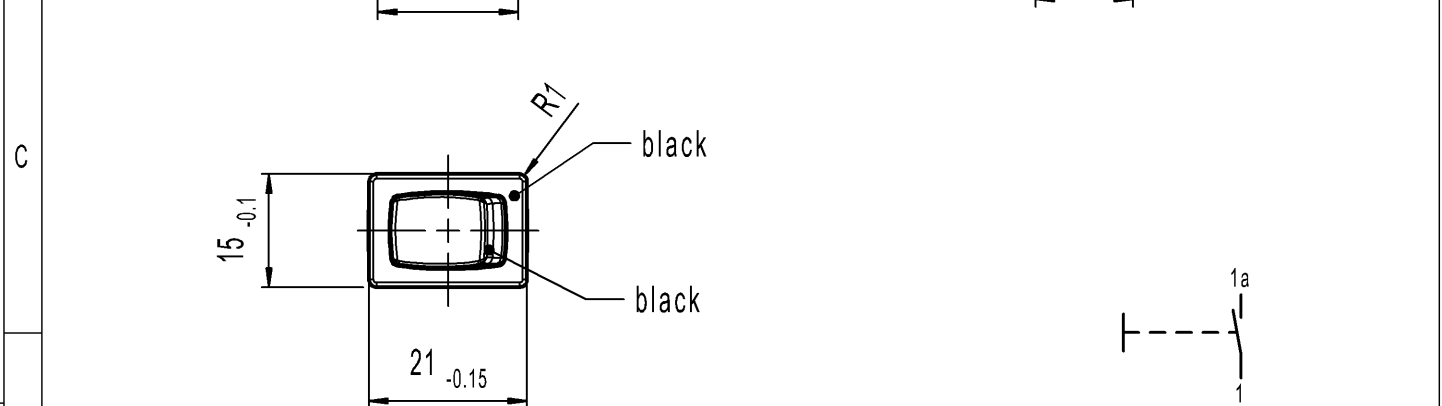
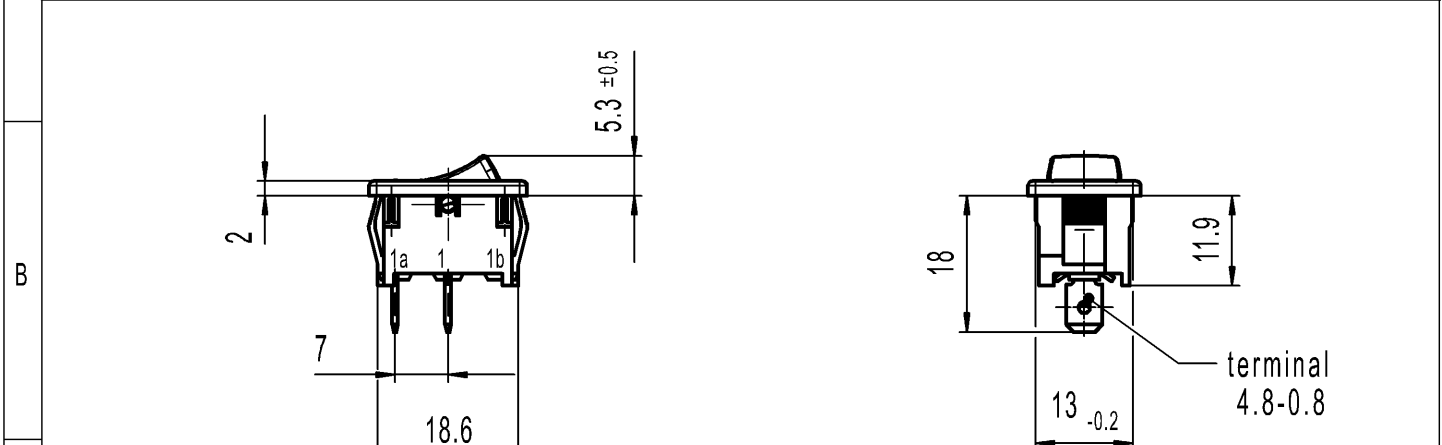
CONFIDENTIAL

VERTRAULICH

Alle Rechte bei Marquardt, auch fuer den Fall von Schutzrechtsanmeldungen. Jede Veruegungsbefugnis, wie Kopier- und Weitergaberecht, bei uns.

THIS DRAWING IS THE EXCLUSIVE PROPERTY OF MARQUARDT. WITHOUT THEIR CONSENT IT MAY NOT BE REPRODUCED OR GIVEN TO THIRD PARTIES.

A	recommended cut-out for snap-in fixing (edge opposite to snap-in direction)	1	2	3	4	
		0.75 to 1.25	1.25 to 2	2 to 3	length of cut-out	width of cut-out
		19.2-0.1	19.4-0.1	19.8-0.1		
		12.9+0.1	12.9+0.1	12.9+0.1		



D Marking

 6A 125V AC
 4A 250V AC
 1/10 HP 125-250V AC
 R52

E Code of manufacture: place/year/week

SPNO
 Suitable for appliances of class II

-	-	-	1801.1202-XX
Figure	Type	Customer Part No.	Art.No.-PI
Shape and location	Angle ± 2 °	Sheet 01	Ident. K
	Edge tolerance	Format DIN A4	Document number 18011202
	Length	Projection	Index d
	Radii	Scale 1:1	Appliance Switch
		All dimensions are in millimetres	
d	137838	2021-08-13	JOSHIO
c	29977	2000-11-15	GRH
b	15837	1984-04-10	RIE
Index	MEC-No.	Date (YYYY-MM-DD)	Edited by
		System NX V1872	
		Replacement of Zg.gl.Nr.v.02.06.1978	