

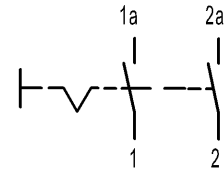
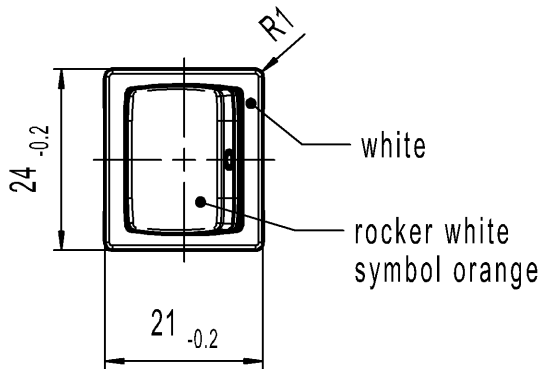
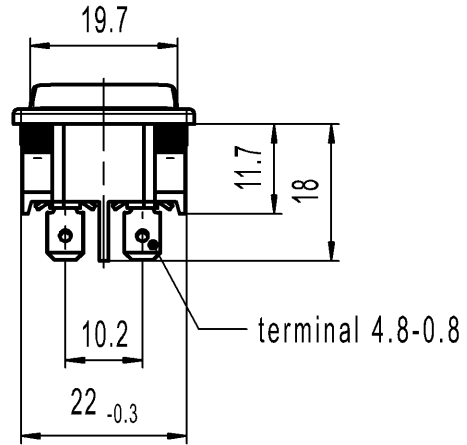
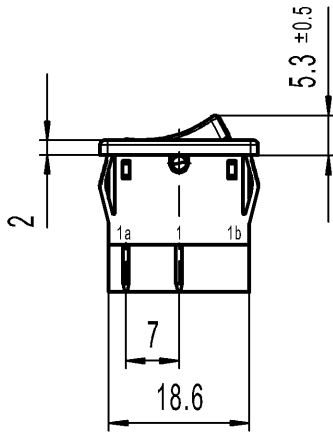
CONFIDENTIAL

VERTRAULICH

Alle Rechte bei Marquardt, auch fuer den Fall von Schutzrechtsanmeldungen. Jede Veruegungsbefugnis, wie Kopier- und Weitergaberecht, bei uns.

THIS DRAWING IS THE EXCLUSIVE PROPERTY OF MARQUARDT. WITHOUT THEIR CONSENT IT MAY NOT BE REPRODUCED OR GIVEN TO THIRD PARTIES.

A	recommended cut-out for snap-in fixing (edge opposite to snap-in direction)	wall thickness	length of cut-out	width of cut-out
		0.75 to 1.25 1.25 to 2 2 to 3	19.2 <sup>-0.1</sup> 19.4 <sup>-0.1</sup> 19.8 <sup>-0.1</sup>	21.9 <sup>+0.1</sup> 21.9 <sup>+0.1</sup> 21.9 <sup>+0.1</sup>



Marking



1802.



6(4)/250 ~ 5E4  
10(4)/250 ~  
5/50A 250V ~

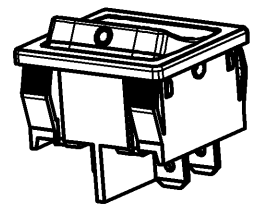
T100/55

6A 125-250V AC  
1/4HP 125V AC  
1/2HP 250V AC  
R30



DPST

suitable for appliances of class II



Code of manufacture: place/year/month

-		-		-		1802.1101-XX			
Figure		Type		Customer Part No.		Art.No.-PI			
Shape and location	Angle ± 2°	Length		Radii		Sheet 01	Ident. K	Document number 18021101	Index j
	Edge tolerance	>6-15 ± 0.2	>15-30 ± 0.4	>30-70 ±	>70-120 ±				
☉ ≡		All dimensions are in millimetres		Appliance Switch		Format DIN A4	Projection	Scale 1:1	System NX V1899
		Replacement of		Zg.gl.Nr.v.21.07.1997					
j	137845	2023-06-06		MUT					
i	61657	2009-01-20		VOR					
h	37630	2003-09-16		VOR					
g	25092	1997-07-21		SIG					
Index	MEC-No.	Date (YYYY-MM-DD)		Edited by					

