

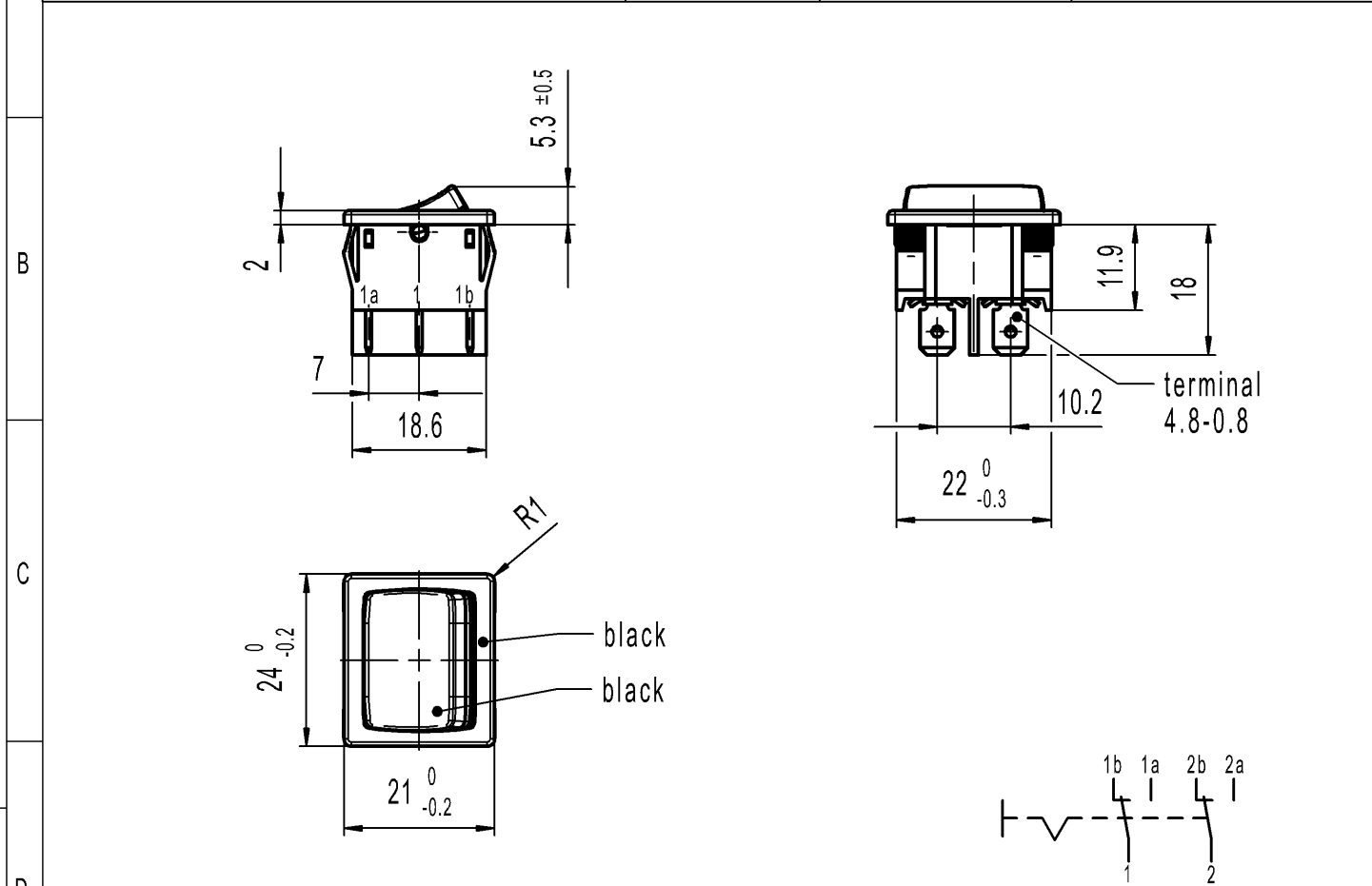
CONFIDENTIAL

VERTRAULICH

THIS DRAWING IS THE EXCLUSIVE PROPERTY OF MARQUARDT. WITHOUT THEIR CONSENT IT MAY NOT BE REPRODUCED OR GIVEN TO THIRD PARTIES.

Alle Rechte bei Marquardt, auch fuer den Fall von Schutzrechtsanmeldungen. Jede Verfuugungsbezugnis, wie Kopier- und Weitergaberecht, bei uns.

A	recommended cut-out for snap-in fixing (edge opposite to snap-in direction)	1	2	3	4	
		0.75 to 1.25	1.25 to 2	2 to 3	length of cut-out	width of cut-out
		19.2-0.1	19.4-0.1	19.8-0.1		
		21.9+0.1	21.9+0.1	21.9+0.1		



Marking
 Ⓜ
 1804.
 6(4)/250~5E4
 10(4)250~ T100/55

6A 125-250V AC
1/4HP 125V AC
1/2HP 250V AC
 R30

Code of manufacture: place/year/week

DPDT
 Suitable for appliances of class II

-	-	-	1804.1102-XX
Figure	Type	Customer Part No.	Art.No.-PI
Shape and location	Angle ± 2 °	Sheet 01	Ident. K
	Edge tolerance	Format DIN A4	Document number 18041102
	Length	Projection	Index g
	Radii	Scale 1:1	Appliance Switch
		All dimensions are in millimetres	
g	137892	System NX V1872	
f	29282	Replacement of	
e	19910	Zg.gI.Nr.v.18.05.2000	
d	17979		
Index	MEC-No.	Date (YYYY-MM-DD)	Edited by