

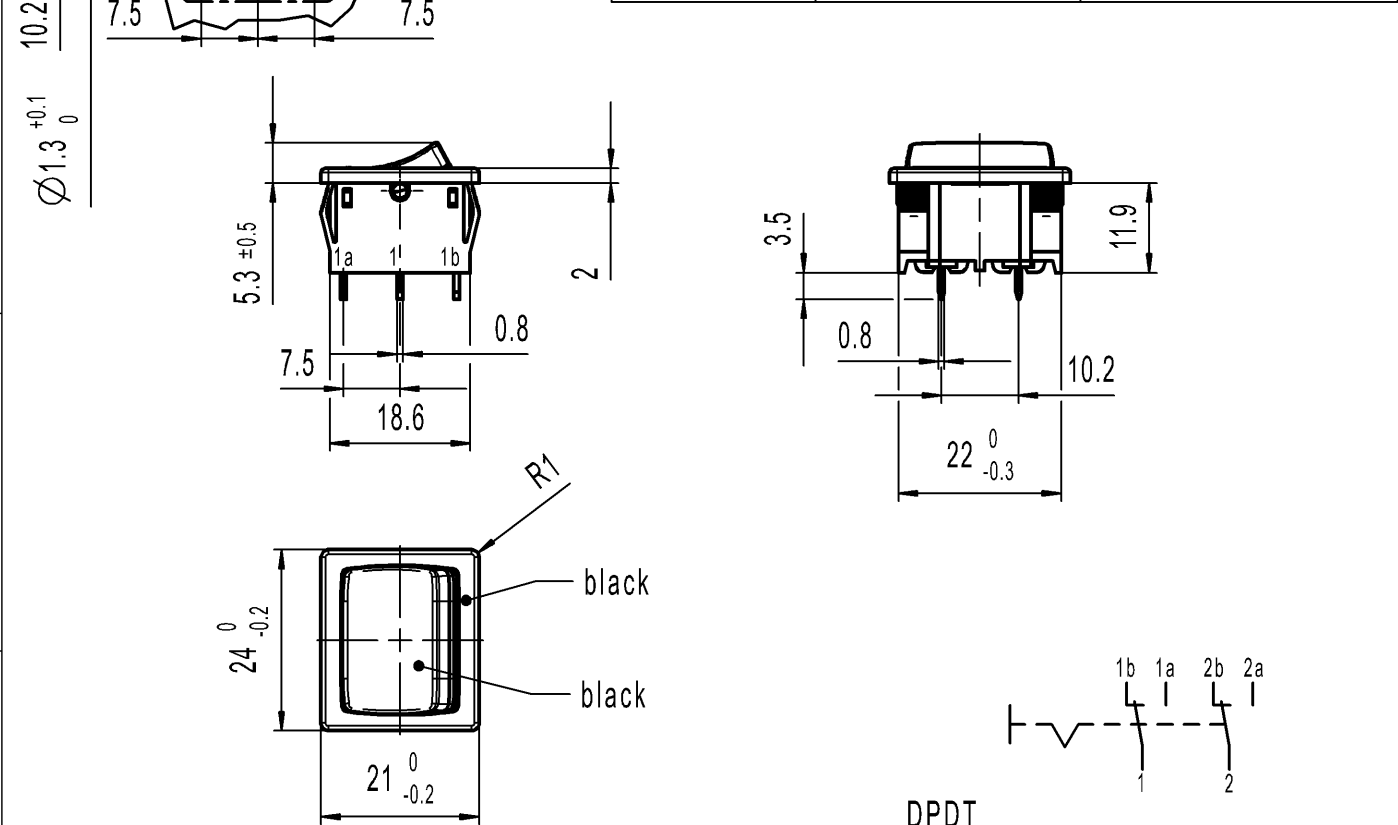
CONFIDENTIAL

VERTRAULICH

THIS DRAWING IS THE EXCLUSIVE PROPERTY OF MARQUARDT. WITHOUT THEIR CONSENT IT MAY NOT BE REPRODUCED OR GIVEN TO THIRD PARTIES.

Alle Rechte bei Marquardt, auch fuer den Fall von Schutzrechtsanmeldungen. Jede Veruegungsbefugnis, wie Kopier- und Weitergaberecht, bei uns.

	1	2	3	4	
A	recommended terminal layout; side of component; tolerances as per DIN IEC 326 item 3 very fine		recommended cut-out for snap-in fixing (edge opposite to snap-in direction)		
			wall thickness	length of cut-out	width of cut-out
			0.75 to 1.25	19.2-0.1	21.9+0.1
			1.25 to 2	19.4-0.1	21.9+0.1
		2 to 3	19.8-0.1	21.9+0.1	



DPDT
Suitable for appliances of class II

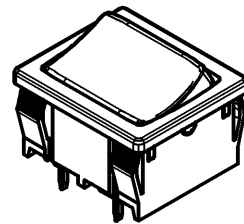
Marking

1804.
 6(4)/250~5E4
 10(4)/250~ T100/55



6A 125-250V AC
 1/4HP 125V AC
 1/2HP 250V AC
 R30

Code of manufacture: place/year/week



-	-	-	1804.2102-XX
Figure	Type	Customer Part No.	Art.No.-PI
Shape and location 	Angle ± 2°	Sheet 01	Ident. K
	Edge tolerance	Length	Document number 18042102
		0-6 ± 0.2	Index f
	>6-15 ± 0.4	Format DIN A4	Appliance Switch
	>15-30 ± 0.4	Projection	
	±	Scale 1:1	 MARQUARDT
	±	All dimensions are in millimetres	
	±		
	±	Replacement of	
	f 137892	2021-06-07	JOSHIO
e 29282	2000-05-18	SIG	
d 19910	1990-03-05	HS	
c 17979	1987-05-13	HS	
Index	MEC-No.	Date (YYYY-MM-DD)	Edited by