

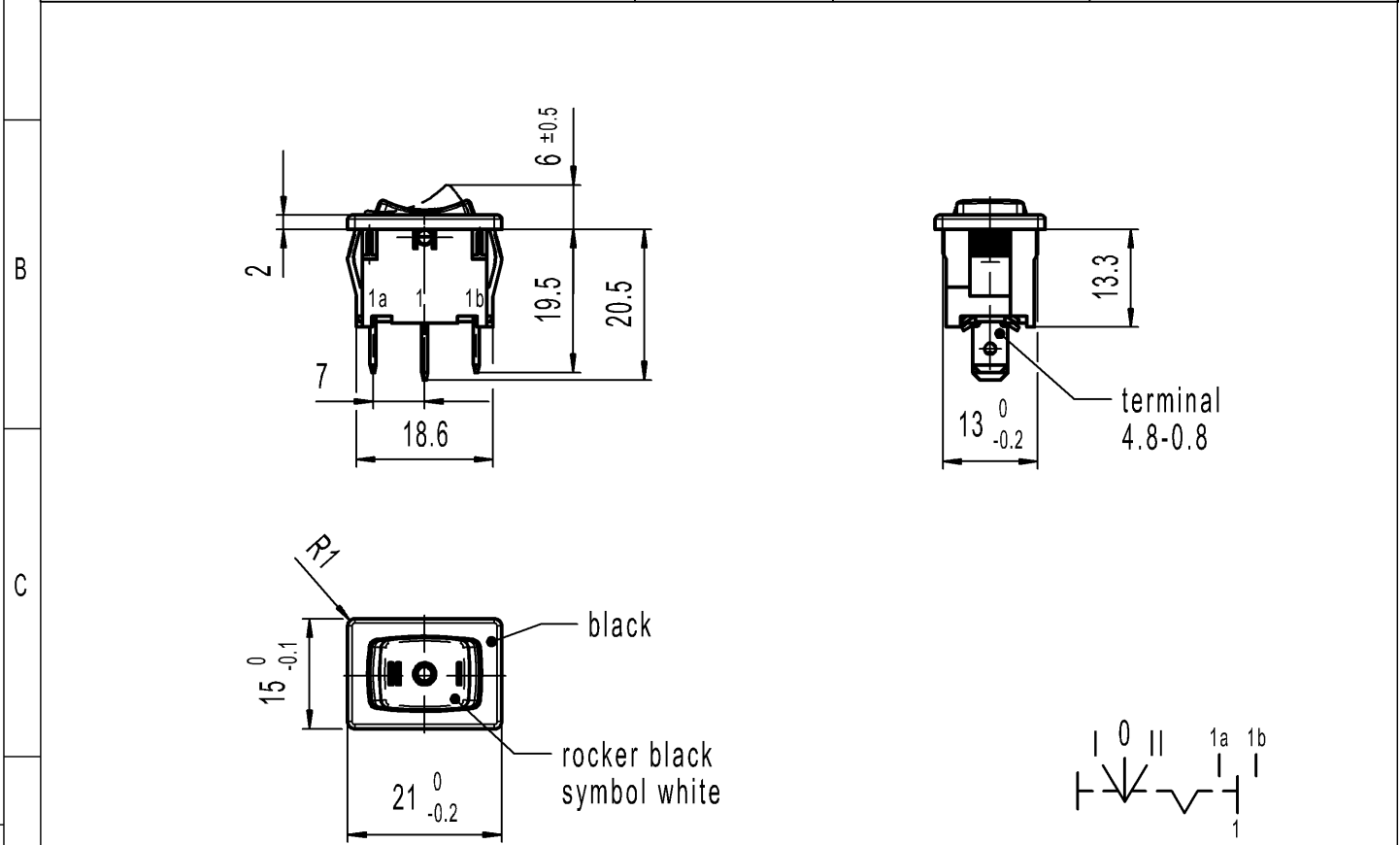
CONFIDENTIAL

VERTRAULICH

THIS DRAWING IS THE EXCLUSIVE PROPERTY OF MARQUARDT. WITHOUT THEIR CONSENT IT MAY NOT BE REPRODUCED OR GIVEN TO THIRD PARTIES.

Alle Rechte bei Marquardt, auch fuer den Fall von Schutzrechtsanmeldungen. Jede Veruegungsbefugnis, wie Kopier- und Weitergaberecht, bei uns.

A	recommended cut-out for snap-in fixing (edge opposite to snap-in direction)	1	2	3	4	
		0.75 to 1.25	1.25 to 2	2 to 3	length of cut-out	width of cut-out
		19.2-0.1	19.4-0.1	19.8-0.1		
		12.9+0.1	12.9+0.1	12.9+0.1		

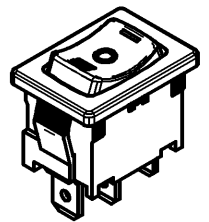


SPDT
With centre-off
Suitable for appliances of class II

Marking
 1808. μ
 6(2)/250~T100/55

6A 125-250V AC
 1/8HP
 R58

Code of manufacture: place/year/week



-	-	-	1808.1103-XX
Figure	Type	Customer Part No.	Art.No.-PI
Shape and location	Angle ± 2 °	Sheet 01	Ident. K
	Edge tolerance	Format DIN A4	Document number 18081103
	Length	Projection	Index d
	Radii	Scale 1:1	Appliance Switch
d	137894	All dimensions are in millimetres	
c	64492	System NX V1872	
b	29392	Replacement of	
a	16107	Zg.gI.Nr.v.03.05.2000	
Index	MEC-No.	Date (YYYY-MM-DD)	Edited by

