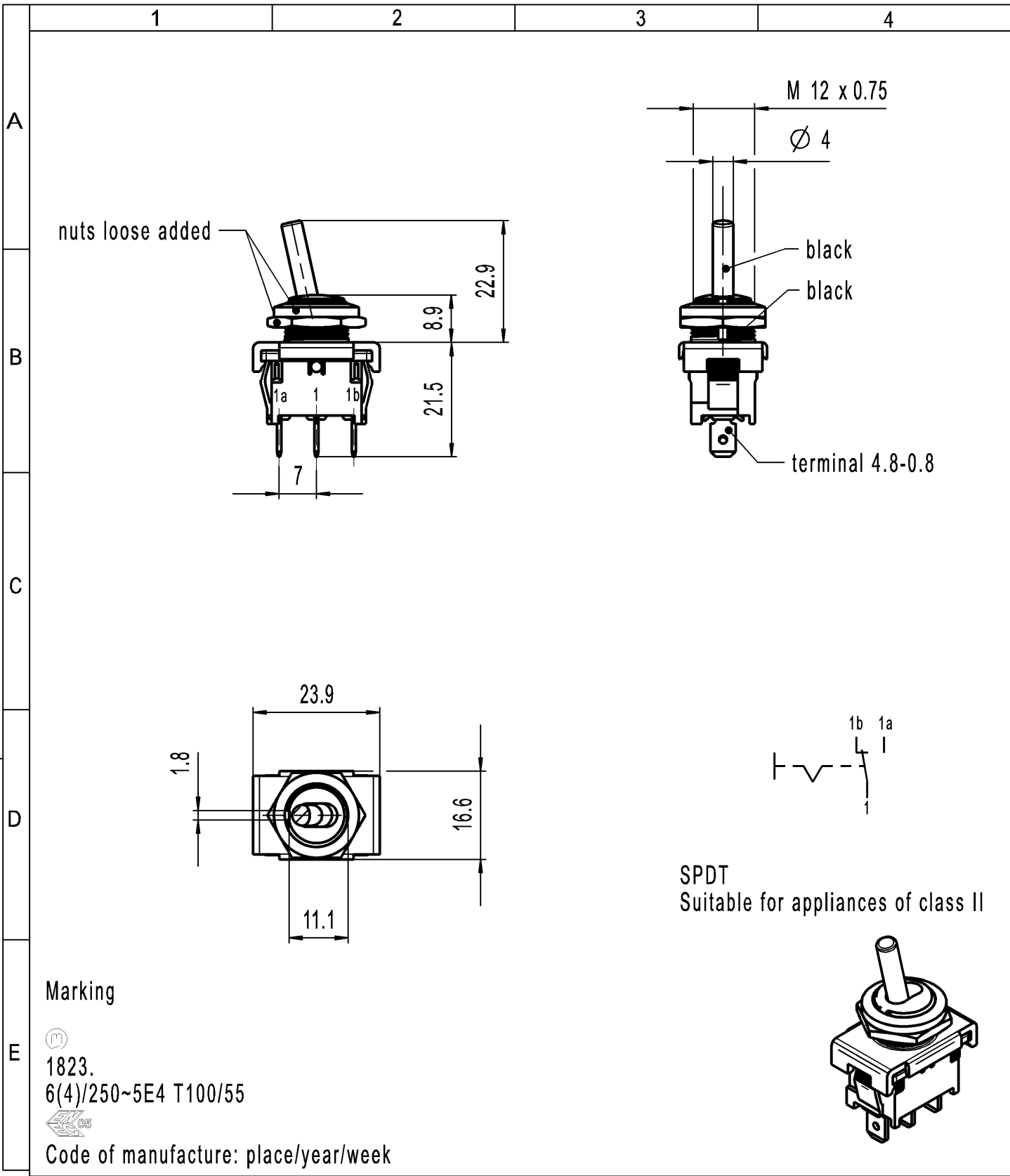


CONFIDENTIAL

VERTRAULICH

THIS DRAWING IS THE EXCLUSIVE PROPERTY OF MARQUARDT. WITHOUT THEIR CONSENT IT MAY NOT BE REPRODUCED OR GIVEN TO THIRD PARTIES.

Alle Rechte bei Marquardt, auch fuer den Fall von Schutzrechtsanmeldungen. Jede Veruegungsbefugnis, wie Kopier- und Weitergaberecht, bei uns.



-		-		-		1823.1101-XX						
Figure		Type		Customer No.		Art.No.-PI						
General tolerances				Sheet 01			Ident.	Document number	Index			
All dimensions are in millimetres	Shape and location 	Angle $\pm 2^\circ$	Edge tolerance 	Length	Radii	Format DIN A4	Projection 	Scale 1:1	K	18231101	f	
				0-6	$\pm 0.2$							$\pm$
				>6-15	$\pm 0.4$							$\pm$
				>15-30	$\pm 0.4$							$\pm$
				>30-70	$\pm$							$\pm$
>70-120	$\pm$	$\pm$										
>120	$\pm$	$\pm$										
f	131663	2020-08-25	THAKARES			System NX V11.0			Appliance Switch			
e	64505	2010-05-27	MUT									
d	56042	2008-01-16	VOR									
c	43241	2005-06-17	mut			Replacement of Zg.gl.Nr.v.04.08.2000			 <b>MARQUARDT</b>			
Index	MEC-No.	Date (YYYY-MM-DD)	Edited by									