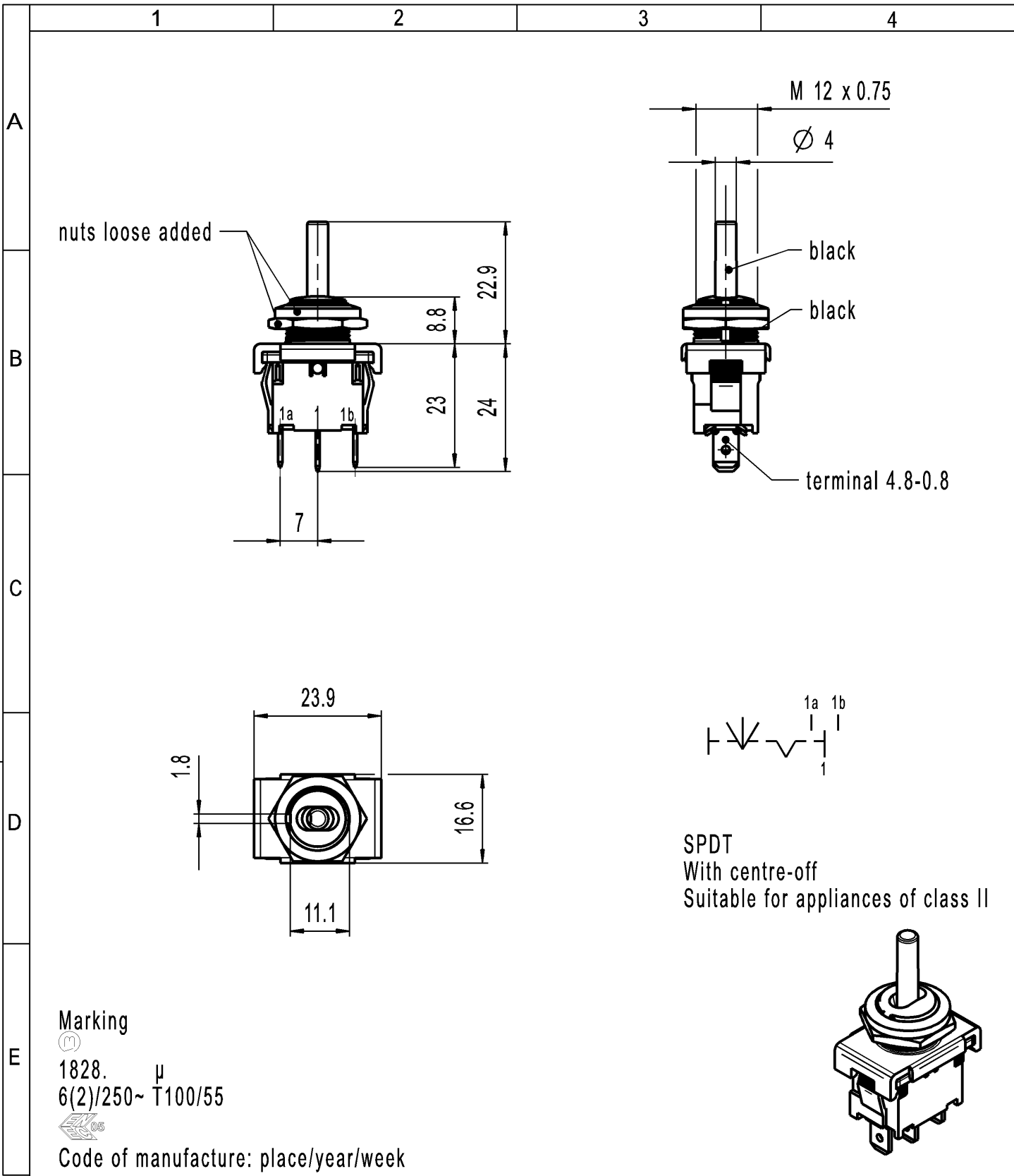


CONFIDENTIAL

VERTRAULICH

THIS DRAWING IS THE EXCLUSIVE PROPERTY OF MARQUARDT. WITHOUT THEIR CONSENT IT MAY NOT BE REPRODUCED OR GIVEN TO THIRD PARTIES.

Alle Rechte bei Marquardt, auch fuer den Fall von Schutzrechtsanmeldungen. Jede Veruegungsbefugnis, wie Kopier- und Weitergaberecht, bei uns.



Marking

1828. μ  
6(2)/250~ T100/55

Code of manufacture: place/year/week

-		-		-		1828.1101-XX				
Figure		Type		Customer No.		Art.No.-PI				
General tolerances				Sheet 01			Ident. K	Document number 18281101	Index d	
All dimensions are in millimetres	Shape and location ⊙ ≡	Angle ± 2 °	Edge tolerance 	Length	Radii	Format DIN A4	Projection	Scale 1:1	Appliance Switch	
				0-6	± 0.2					±
				>6-15	± 0.4					±
				>15-30	± 0.4					±
				>30-70	±					±
>70-120	±	±								
>120	±	±								
d	131663	2020-09-01	THAKARES			System NX V11.0				
c	64505	2010-05-20	MUT			Replacement of				
b	56042	2008-01-16	VOR			Zg.gl.Nr.v.15.09.2000				
a	29873	2000-09-15	HIN			MARQUARDT				
Index	MEC-No.	Date (YYYY-MM-DD)	Edited by							