

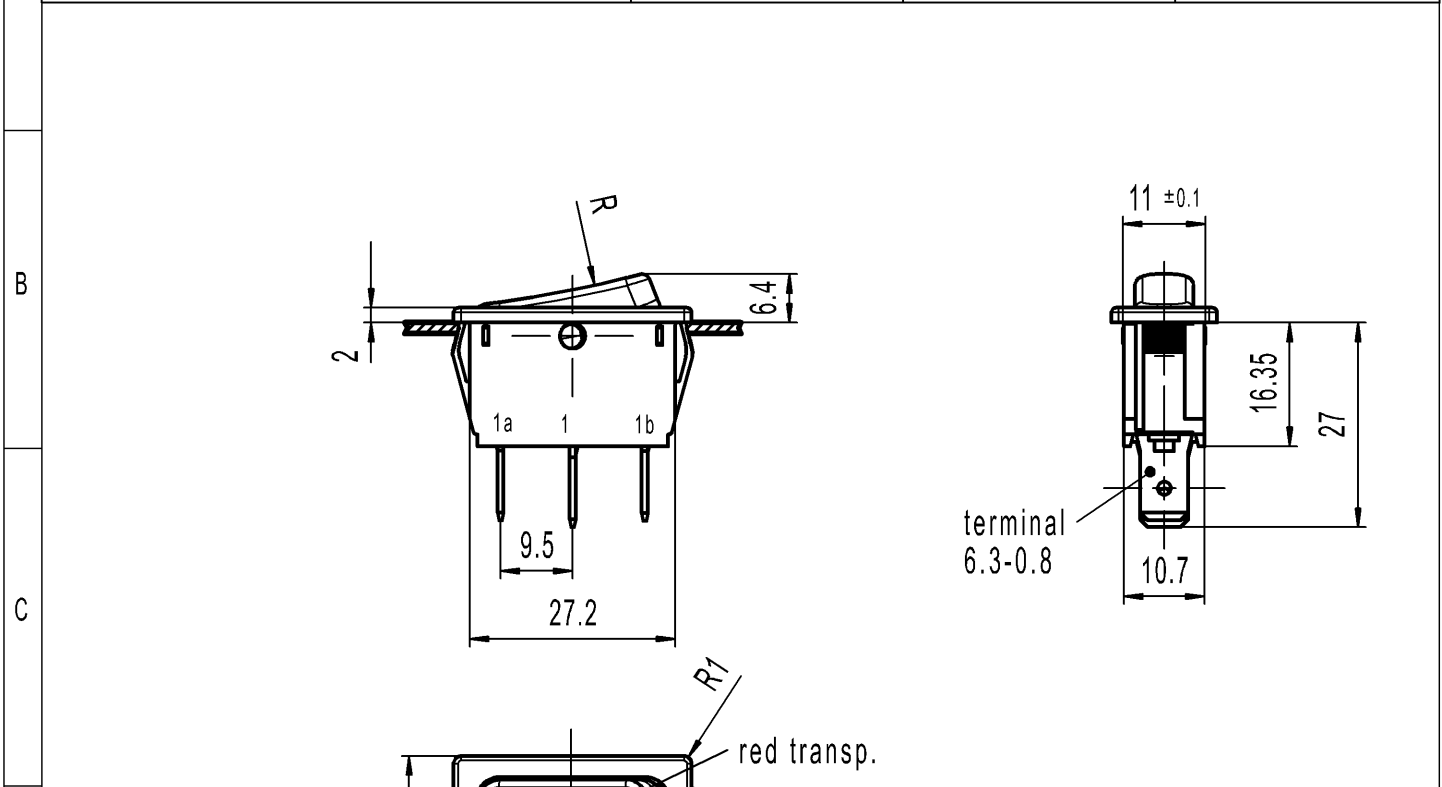
CONFIDENTIAL

VERTRAULICH

THIS DRAWING IS THE EXCLUSIVE PROPERTY OF MARQUARDT. WITHOUT THEIR CONSENT IT MAY NOT BE REPRODUCED OR GIVEN TO THIRD PARTIES.

Alle Rechte bei Marquardt, auch fuer den Fall von Schutzrechtsanmeldungen. Jede Verfertigungsbefugnis, wie Kopier- und Weitergaberecht, bei uns.

A	recommended cut-out for snap-in fixing (edge opposite to snap-in direction)	1	2	3	4
		0.75 to 1.25	1.25 to 2	2 to 3	
		wall thickness	length of cut-out	width of cut-out	
		0.75 to 1.25	30.0 -0.1	11 +0.1	
		1.25 to 2	30.2 -0.1	11 +0.1	
		2 to 3	30.6 -0.1	11 +0.1	

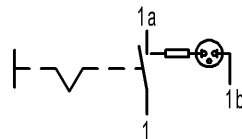
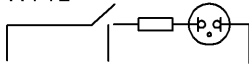


Marking:

1830.  
 10(8)/250~5E4  
 20(4)/250~ T85/55  
 5/120A 250V~

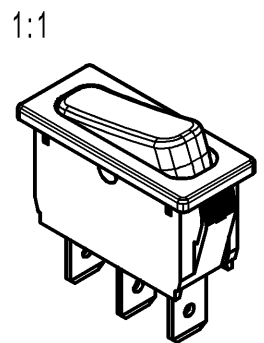


16A 250V AC  
 1HP  
 R142



SPST  
 Neon lamp with Rv for 230V ac  
 Suitable for appliances of class II

Code of manufacture:  
place/year/week



-	-	-	1830.3112-XX
Figure	Type	Customer Part No.	Art.No.-PI
Shape and location	Angle ± 2°	Sheet 01	Ident. K
	Edge tolerance	Format DIN A4	Document number 18303112
	Length	Projection	Index f
	Radii	Scale 1:1	Appliance Switch
f	138244	All dimensions are in millimetres	
e	47286	System NX V1872	
d	32181	Replacement of	
c	23781	Zg.gl.Nr.v.28.03.1994	
Index	MEC-No.	Date (YYYY-MM-DD)	Edited by

