

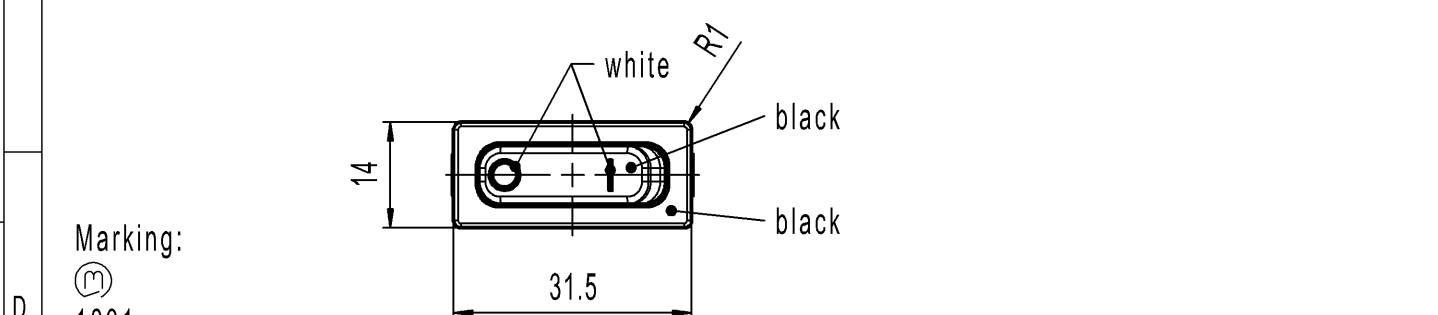
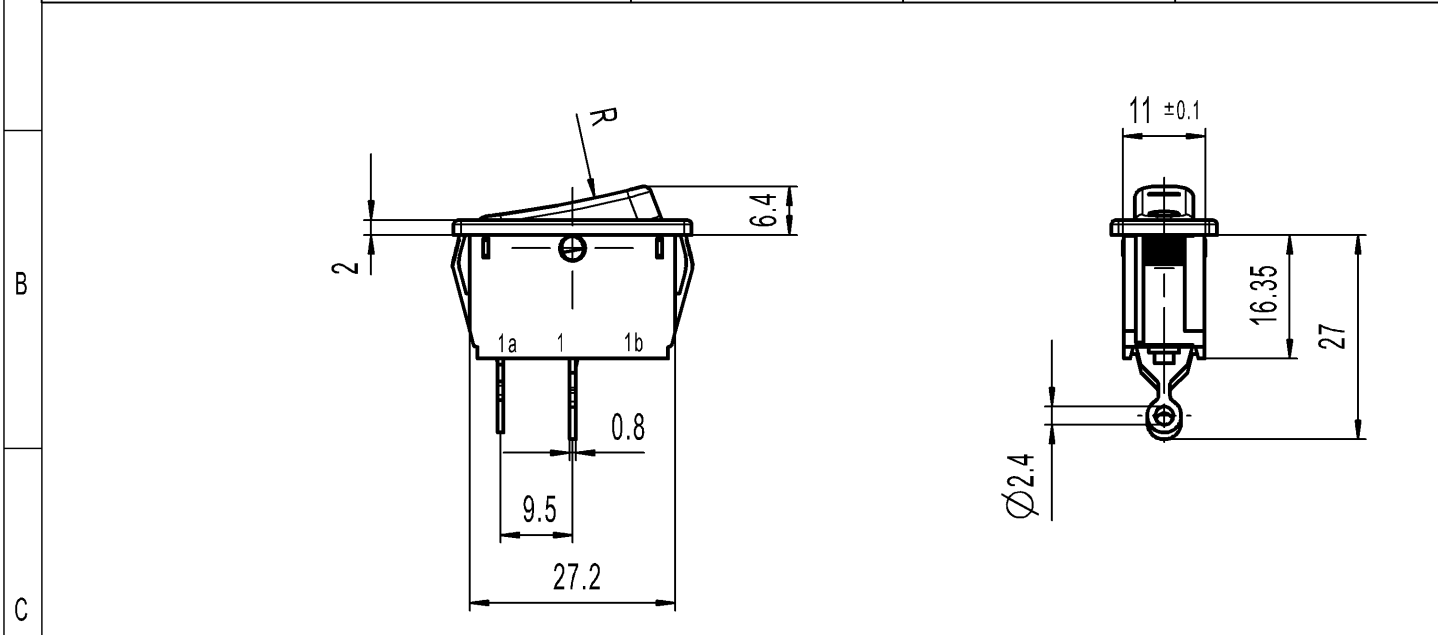
CONFIDENTIAL

VERTRAULICH

THIS DRAWING IS THE EXCLUSIVE PROPERTY OF MARQUARDT. WITHOUT THEIR CONSENT IT MAY NOT BE REPRODUCED OR GIVEN TO THIRD PARTIES.

Alle Rechte bei Marquardt, auch fuer den Fall von Schutzrechtsanmeldungen. Jede Verfuugungsbedingung, wie Kopier- und Weitergaberecht, bei uns.

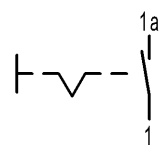
A	recommended cut-out for snap-in fixing (edge opposite to snap-in direction)	1	2	3	4
		0.75 to 1.25	1.25 to 2	2 to 3	
		30.0 -0.1	30.2 -0.1	30.6 -0.1	11 +0.1 11 +0.1 11 +0.1



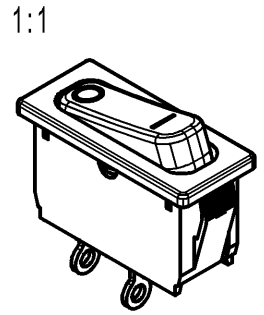
Marking:
 (M)
 1831.
 10(8)/250~5E4
 20(4)/250~ T105/55
 5/120A 250V~



16A 125-250V AC
 1/3 HP 125V AC
 1 HP 250V AC
 R11



SPST
 Suitable for appliances of class II



Code of manufacture: place/year/week

-		-		-		1831.0114-XX	
Figure		Type		Customer Part No.		Art.No.-PI	
Shape and location	Angle ± 2°	Length		Radii		Sheet 01	Ident. K
	Edge tolerance	0-6 ± 0.2	±	0-6 ± 0.2	±		
⊙ ≡		>6-30 ± 0.4	±	>6-30 ± 0.4	±	Format DIN A4	Projection
		>30 ± 0.6	±	>30 ± 0.6	±		
All dimensions are in millimetres						Appliance Switch	
c	138244	2021-08-06		MATHPATIR		System NX V1872	
b	47099	2006-04-18		HHE		Replacement of	
a	23781	1996-01-29		GRH		Zg.gl.Nr.v.25.09.1995	
Index	MEC-No.	Date (YYYY-MM-DD)		Edited by			