

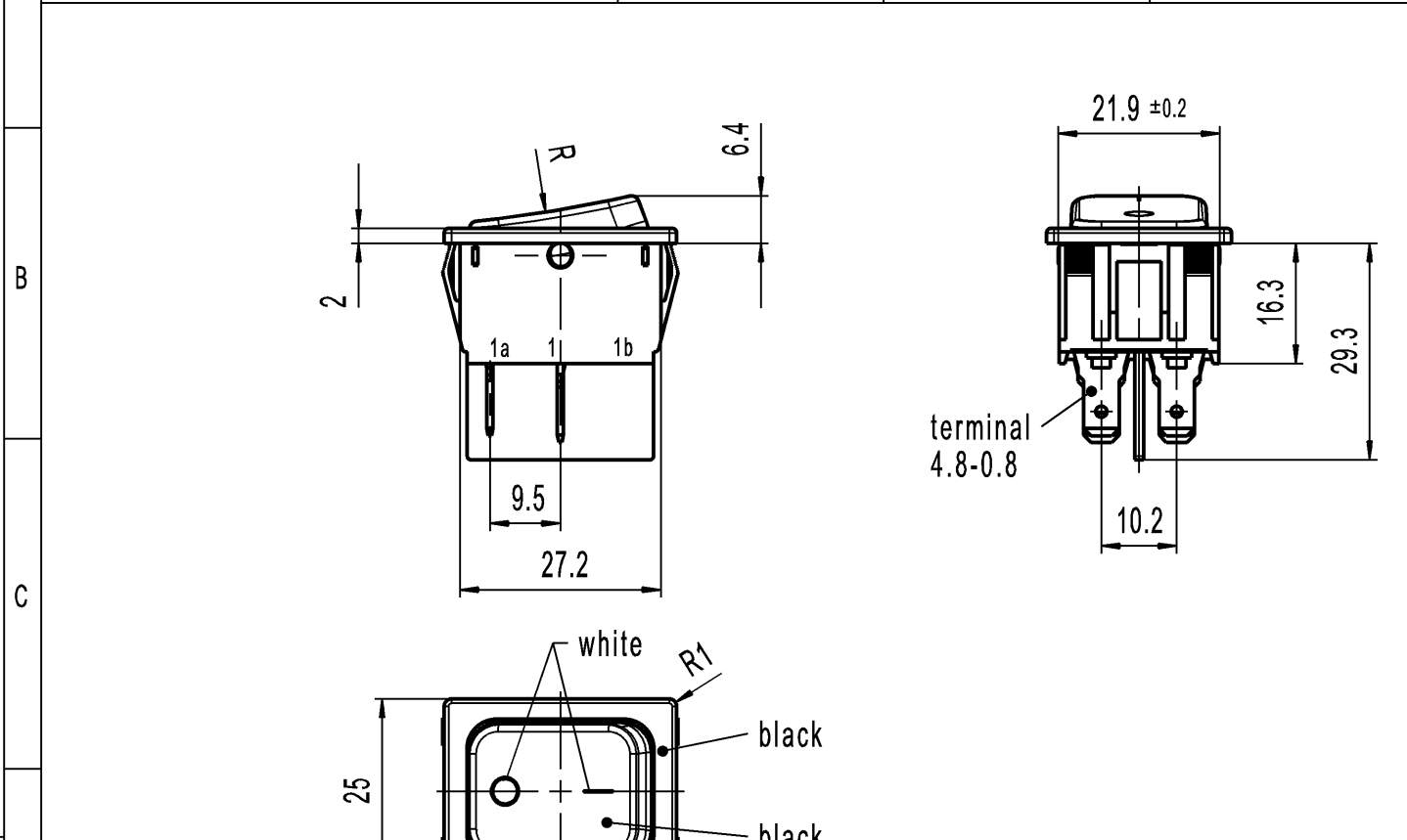
CONFIDENTIAL

VERTRAULICH

THIS DRAWING IS THE EXCLUSIVE PROPERTY OF MARQUARDT. WITHOUT THEIR CONSENT IT MAY NOT BE REPRODUCED OR GIVEN TO THIRD PARTIES.

Alle Rechte bei Marquardt, auch fuer den Fall von Schutzrechtsanmeldungen. Jede Veruegungsbefugnis, wie Kopier- und Weitergaberecht, bei uns.

A	recommended cut-out for snap-in fixing (edge opposite to snap-in direction)	1	2	3	4
			wall thickness	length of cut-out	width of cut-out
			0.75 to 1.25 1.25 to 2 2 to 3	30.0 -0.1 30.2 -0.1 30.6 -0.1	22 +0.2 22 +0.2 22 +0.2



Marking:
 1832.
 6(4)/250~5E4
 10(4)/250~ T105/55

6A 125-250V AC
 1/4HP 125V AC
 1/2HP 250V AC
 R30

Code of manufacture: place/year/week

DPST
 Suitable for appliances of class II

-	-	-	1832.1102-XX
Figure	Type	Customer Part No.	Art.No.-PI
Shape and location	Angle ± 2°	Sheet 01	Ident. K
	Edge tolerance	Format DIN A4	Document number 18321102
	Length	Projection	Index e
	Radii	Scale 1:1	Appliance Switch
		All dimensions are in millimetres	
e	138977	System NX V1872	 MARQUARDT
d	64507	Replacement of	
c	39880	Zg.gl.Nr.v.15.02.1996	
b	24370		
Index	MEC-No.	Date (YYYY-MM-DD)	Edited by