

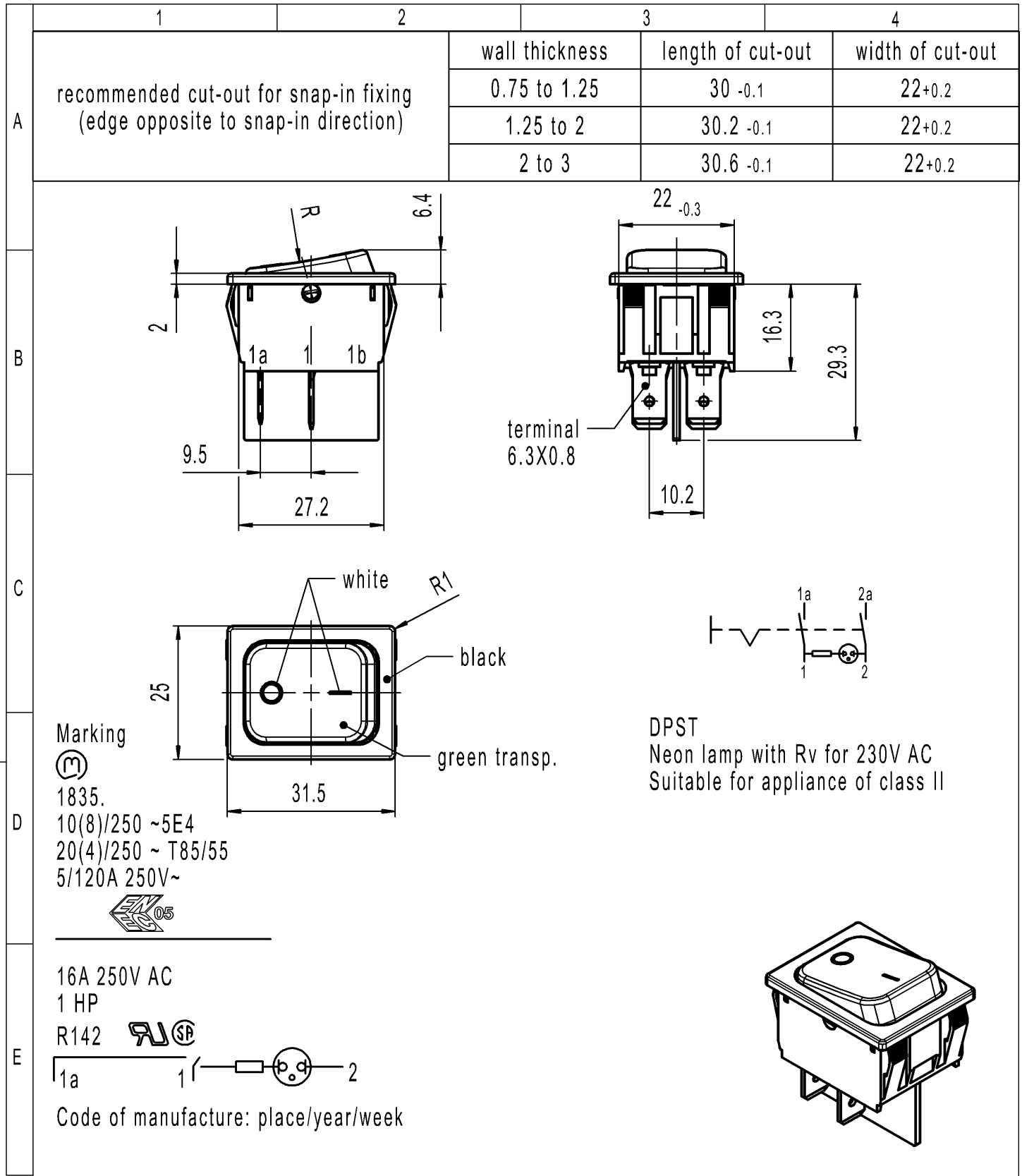
CONFIDENTIAL

VERTRAULICH

Alle Rechte bei Marquardt, auch fuer den Fall von Schutzrechtsanmeldungen. Jede Veruegungsbefugnis, wie Kopier- und Weitergaberecht, bei uns.

©

THIS DRAWING IS THE EXCLUSIVE PROPERTY OF MARQUARDT. WITHOUT THEIR CONSENT IT MAY NOT BE REPRODUCED OR GIVEN TO THIRD PARTIES.



-	-	-	1835.3118-XX																																			
Figure	Type	Customer Part No.	Art.No.-PI																																			
Shape and location	Angle ± 2 °	Sheet 01																																				
	Edge tolerance	Ident. K	Document number 18353118																																			
⊙ ≡	<table border="1" style="width: 100%; border-collapse: collapse;"> <tr> <th colspan="2">Length</th> <th colspan="2">Radii</th> </tr> <tr> <td>0-6</td> <td style="text-align: center;">± 0.2</td> <td></td> <td style="text-align: center;">± 0.2</td> </tr> <tr> <td>>6-15</td> <td style="text-align: center;">± 0.4</td> <td></td> <td style="text-align: center;">±</td> </tr> <tr> <td>>15-30</td> <td style="text-align: center;">± 0.4</td> <td></td> <td style="text-align: center;">±</td> </tr> <tr> <td>>30-70</td> <td style="text-align: center;">± 0.6</td> <td></td> <td style="text-align: center;">±</td> </tr> <tr> <td></td> <td style="text-align: center;">±</td> <td></td> <td style="text-align: center;">±</td> </tr> <tr> <td></td> <td style="text-align: center;">±</td> <td></td> <td style="text-align: center;">±</td> </tr> <tr> <td></td> <td style="text-align: center;">±</td> <td></td> <td style="text-align: center;">±</td> </tr> <tr> <td></td> <td style="text-align: center;">±</td> <td></td> <td style="text-align: center;">±</td> </tr> </table>	Length		Radii		0-6	± 0.2		± 0.2	>6-15	± 0.4		±	>15-30	± 0.4		±	>30-70	± 0.6		±		±		±		±		±		±		±		±		±	Index g
Length		Radii																																				
0-6	± 0.2		± 0.2																																			
>6-15	± 0.4		±																																			
>15-30	± 0.4		±																																			
>30-70	± 0.6		±																																			
	±		±																																			
	±		±																																			
	±		±																																			
	±		±																																			
g	140527	2022-03-17	MOHITEN																																			
f	64507	2009-10-13	HHE																																			
e	39880	2004-04-20	HHE																																			
d	24370	1996-11-25	GRH																																			
Index	MEC-No.	Date (YYYY-MM-DD)	Edited by																																			
		Format DIN A4	Projection																																			
		Scale 1:1	All dimensions are in millimetres																																			
		System NX V1872	Appliance Switch																																			
		Replacement of	<p style="font-size: 24px; font-weight: bold; margin: 0;">MARQUARDT</p>																																			