

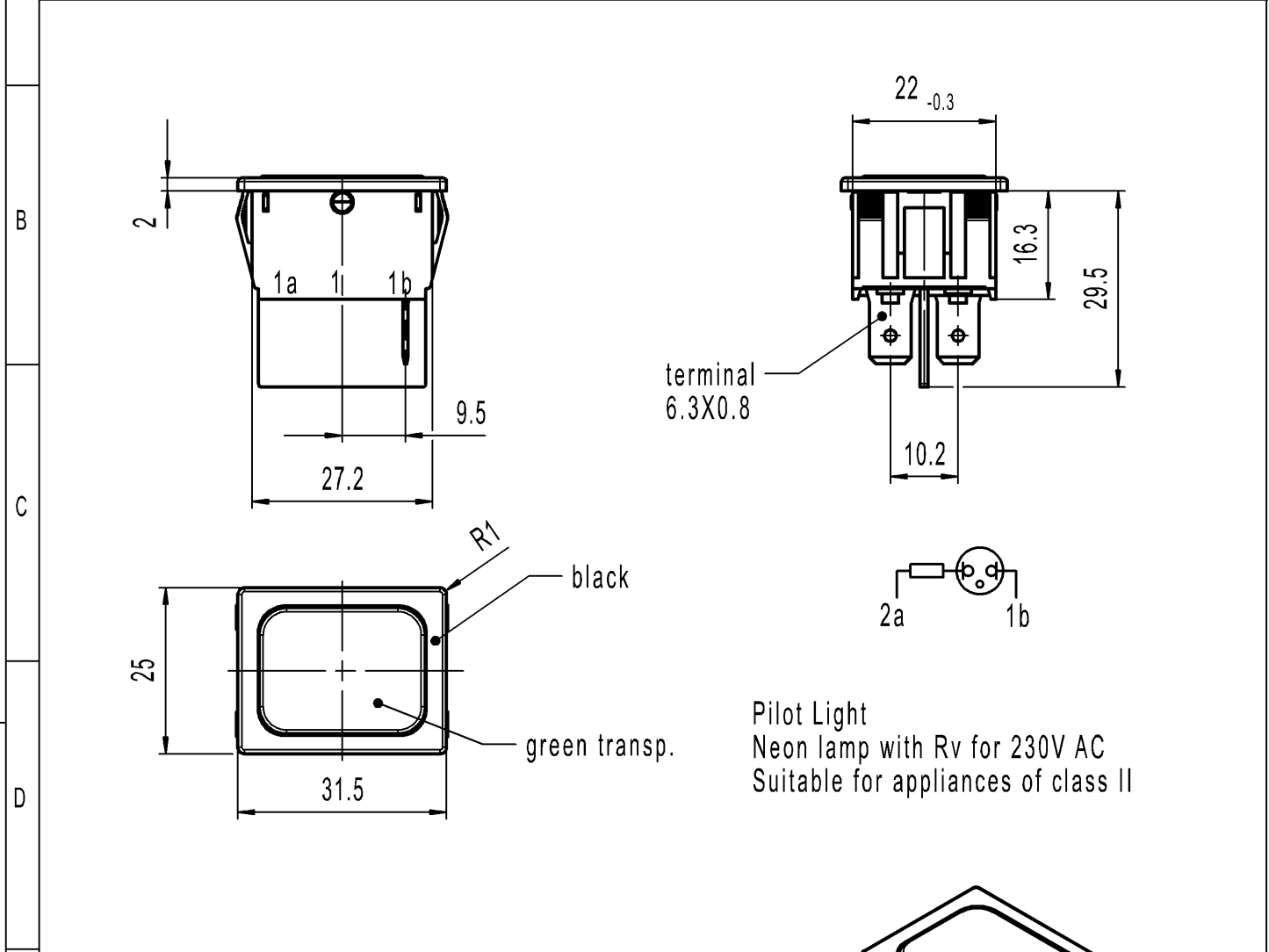
CONFIDENTIAL



VERTRAULICH

THIS DRAWING IS THE EXCLUSIVE PROPERTY OF MARQUARDT. WITHOUT THEIR CONSENT IT MAY NOT BE REPRODUCED OR GIVEN TO THIRD PARTIES.

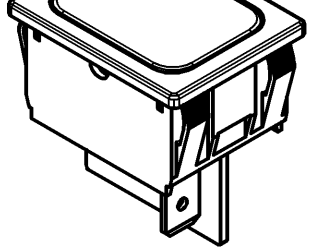
Alle Rechte bei Marquardt, auch fuer den Fall von Schutzrechtsanmeldungen. Jede Veruegungsbefugnis, wie Kopier- und Weitergaberecht, bei uns.

A	recommended cut-out for snap-in fixing (edge opposite to snap-in direction)	1	2	3	4
			wall thickness	length of cut-out	width of cut-out
			0.75 to 1.25	30 -0.1	22+0.2
			1.25 to 2	30.2 -0.1	22+0.2
		2 to 3	30.6 -0.1	22+0.2	



**Marking**  
  
 1837.  
 230V ~ T 100°C  


Code of manufacture: place/year/week



-	-	-	1837.8108-XX
Figure	Type	Customer Part No.	Art.No.-PI
Shape and location	Angle $\pm 2^\circ$	Sheet 01	Ident. K
	Edge tolerance	Format DIN A4	Document number 18378108
	Length	Projection	Index e
	0-6 $\pm 0.2$	Scale 1:1	Pilot light
	>6-15 $\pm 0.4$	All dimensions are in millimetres	
	>15-30 $\pm 0.4$		System NX V1899
	>30-70 $\pm 0.6$	Replacement of	
	$\pm$		Zg.gl.Nr.v.02.03.1994
	$\pm$	MARQUARDT	
	$\pm$		
	$\pm$		
	$\pm$		
	$\pm$		
	$\pm$		
	$\pm$		
e	141194	2022-09-30	MOHITEN
d	69573	2010-07-28	HHE
c	24370	1996-11-26	GRH
b	22680	1994-03-02	GRH
Index	MEC-No.	Date (YYYY-MM-DD)	Edited by