

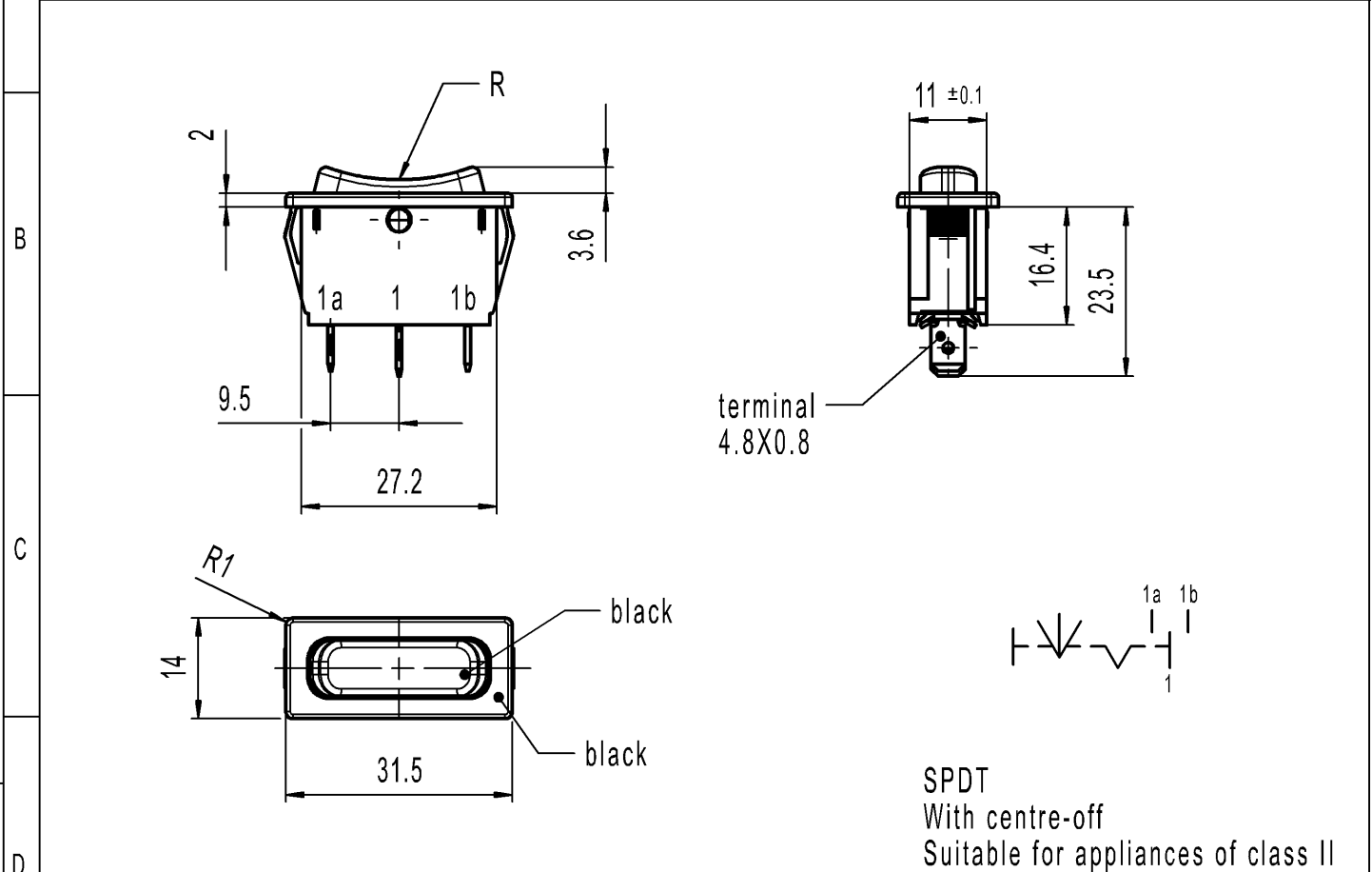
CONFIDENTIAL

VERTRAULICH

THIS DRAWING IS THE EXCLUSIVE PROPERTY OF MARQUARDT. WITHOUT THEIR CONSENT IT MAY NOT BE REPRODUCED OR GIVEN TO THIRD PARTIES.

Alle Rechte bei Marquardt, auch fuer den Fall von Schutzrechtsanmeldungen. Jede Veruegungsbefugnis, wie Kopier- und Weitergaberecht, bei uns.

| | | | | | |
|---|--------------------------------------------------------------------------------|--------|----------------|-------------------|------------------|
| A | recommended cut-out for snap-in fixing (edge opposite to snap-in direction) | 1 | 2 | 3 | 4 |
| | | | wall thickness | length of cut-out | width of cut-out |
| | | | 0.75 to 1.25 | 30 -0.1 | 11+0.1 |
| | | | 1.25 to 2 | 30.2 -0.1 | 11+0.1 |
| | | 2 to 3 | 30.6 -0.1 | 11+0.1 | |



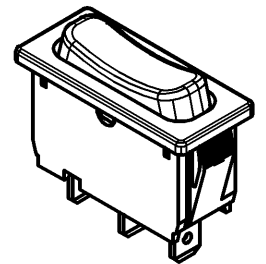
Marking

Ⓜ
1838.
6(4)/250~T105/55



6A 125-250V AC
1/8 HP
R58

Code of manufacture: place/year/week



| | | | | | |
|--------------------|----------------|-------------------|---|-----------------------------------|-------|
| - | | - | | 1838.1502-XX | |
| Figure | | Type | | Customer Part No. | |
| - | | - | | Art.No.-PI | |
| Shape and location | Angle ± 2 ° | Length | | Sheet 01 | |
| | Edge tolerance | 0-6 ± 0.2 | ± | ± | ± 0.2 |
| Ⓜ = | | >6-15 ± 0.4 | ± | ± | ± |
| | | >15-30 ± 0.4 | ± | ± | ± |
| | | >30-70 ± 0.6 | ± | ± | ± |
| | | ± | ± | ± | ± |
| e | 141194 | 2022-09-30 | | MOHITEN | |
| d | 29986 | 2000-08-16 | | GRH | |
| c | 17418 | 1986-08-12 | | RA | |
| b | 16484 | 1985-02-27 | | MJ | |
| Index | MEC-No. | Date (YYYY-MM-DD) | | Edited by | |
| | | | | Sheet 01 | |
| | | | | Format DIN A4 | |
| | | | | Projection | |
| | | | | Scale 1:1 | |
| | | | | All dimensions are in millimetres | |
| | | | | Ident. K | |
| | | | | Document number 18381502 | |
| | | | | Index e | |
| | | | | Appliance Switch | |
| | | | | System NX V1899 | |
| | | | | Replacement of | |
| | | | | Zg.gl.Nr.v.29.03.1985 | |
| | | | | | |
| | | | | MARQUARDT | |