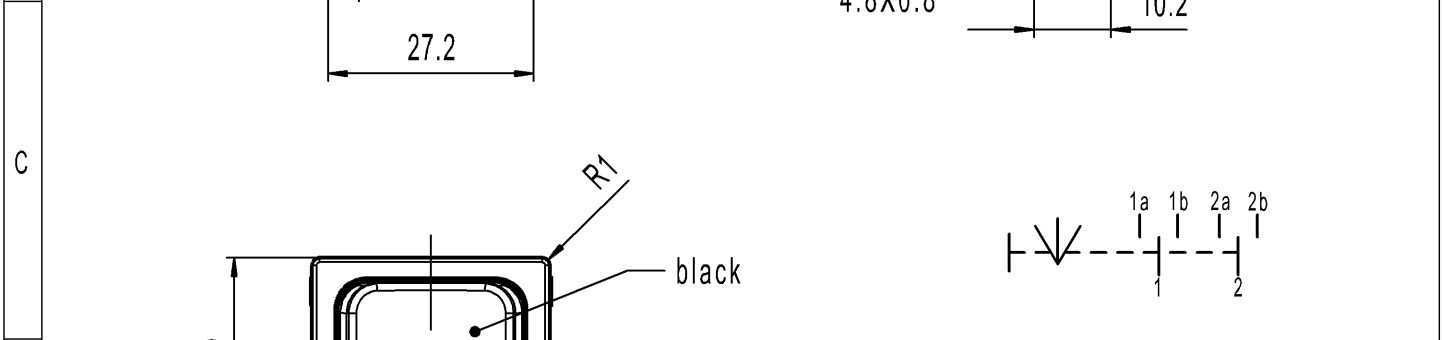
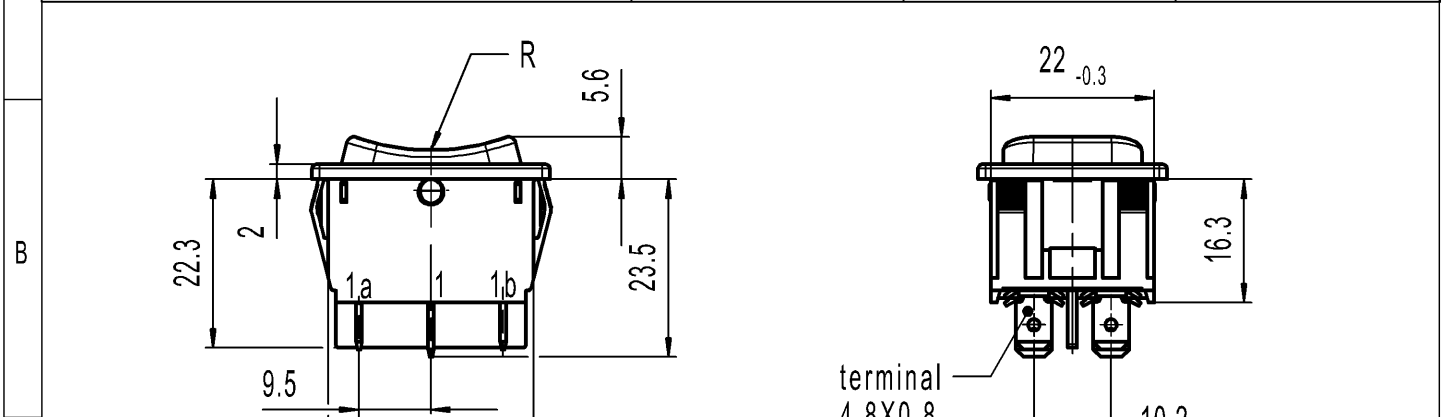


CONFIDENTIAL

VERTRAULICH

THIS DRAWING IS THE EXCLUSIVE PROPERTY OF MARQUARDT. WITHOUT THEIR CONSENT IT MAY NOT BE REPRODUCED OR GIVEN TO THIRD PARTIES.

A	recommended cut-out for snap-in fixing (edge opposite to snap-in direction)	1	2	3	4
			wall thickness	length of cut-out	width of cut-out
			0.75 to 1.25	30 -0.1	22+0.2
			1.25 to 2	30.2 -0.1	22+0.2
		2 to 3	30.6 -0.1	22+0.2	



DPDT
With centre-off
Biased from both-sides
Suitable for appliances of class II

Marking
 1839.
 6(4)/250~T105/55

6A 125-250V AC
 1/8 HP
 R58
 Code of manufacture: place/year/week

Alle Rechte bei Marquardt, auch fuer den Fall von Schutzrechtsanmeldungen. Jede Verfertigungsbefugnis, wie Kopier- und Weitergaberecht, bei uns.

-	-	-	1839.1402-XX
Figure	Type	Customer Part No.	Art.No.-PI
Shape and location	Angle $\pm 2^\circ$	Sheet 01	Ident. K
	Edge tolerance	Format DIN A4	Document number 18391402
	0-6 ± 0.2	Projection	Index h
	>6-15 ± 0.4	Scale 1:1	Appliance Switch
>15-30 ± 0.4	All dimensions are in millimetres	System NX V1899	
>30-70 ± 0.6			Replacement of
\pm	Zg.gl.Nr.v.22.11.1996	MARQUARDT	
\pm			
h	141196	2022-06-14	MOHITEN
g	64508	2009-08-20	HHE
f	29987	2000-08-08	GRH
e	24370	1996-11-22	GRH
Index	MEC-No.	Date (YYYY-MM-DD)	Edited by