

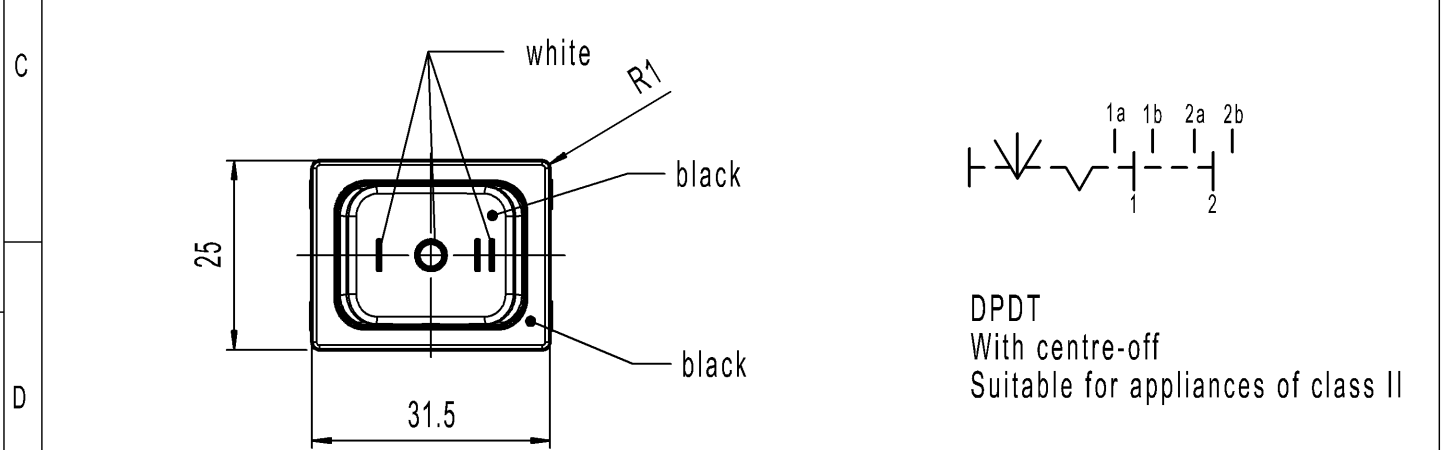
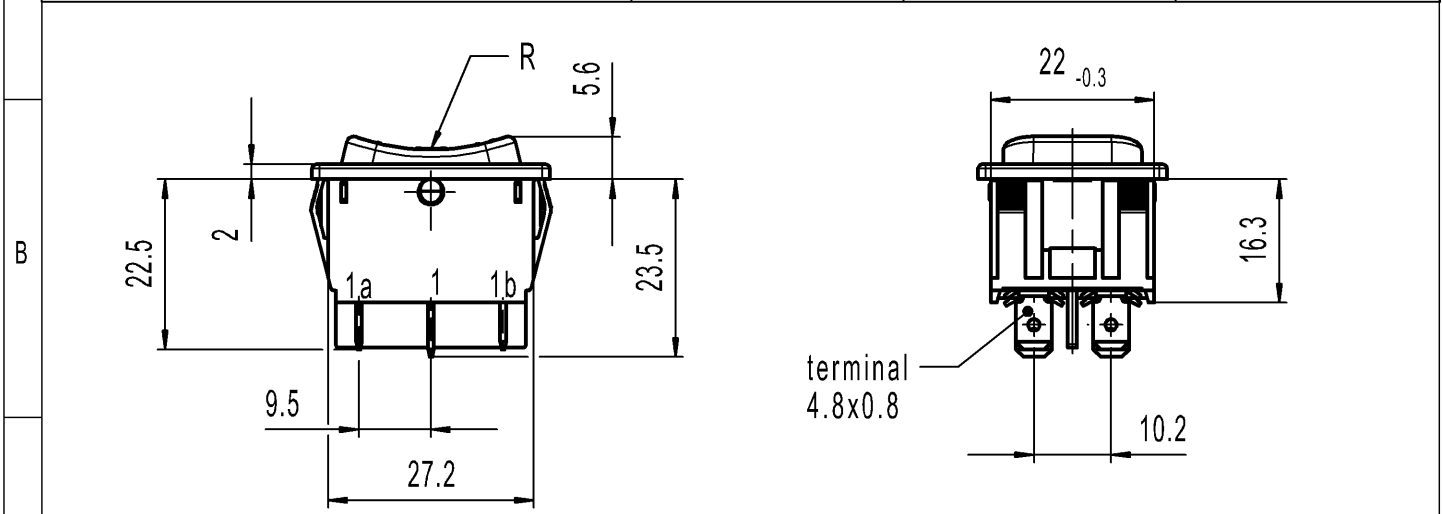
CONFIDENTIAL

VERTRAULICH

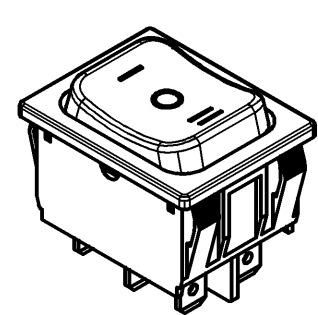
THIS DRAWING IS THE EXCLUSIVE PROPERTY OF MARQUARDT. WITHOUT THEIR CONSENT IT MAY NOT BE REPRODUCED OR GIVEN TO THIRD PARTIES.



Alle Rechte bei Marquardt, auch fuer den Fall von Schutzrechtsanmeldungen. Jede Verfertigungsbefugnis, wie Kopier- und Weitergaberecht, bei uns.


A	recommended cut-out for snap-in fixing (edge opposite to snap-in direction)	1	2	3	4
		wall thickness	length of cut-out	width of cut-out	
		0.75 to 1.25	30 -0.1	22+0.2	
		1.25 to 2	30.2 -0.1	22+0.2	
		2 to 3	30.6 -0.1	22+0.2	



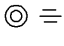
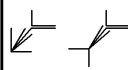

DPDT  
With centre-off  
Suitable for appliances of class II



Marking  
  
 1839.  
 6(4)/250~T105/55  


6A 125-250V AC  
 1/8 HP  
 R58 

Code of manufacture: place/year/week

-		-		-		1839.1507-XX			
Figure		Type		Customer Part No.		Art.No.-PI			
Shape and location	Angle $\pm 2^\circ$	Length		Radii		Sheet 01	Ident. K	Document number 18391507	Index i
	Edge tolerance	0-6 $\pm 0.2$	$\pm$	$\pm$	$\pm 0.2$				
		>6-15 $\pm 0.4$	$\pm$	$\pm$	$\pm$	All dimensions are in millimetres			
		>15-30 $\pm 0.4$	$\pm$	$\pm$	$\pm$				Appliance Switch
		>30-70 $\pm 0.6$	$\pm$	$\pm$	$\pm$	System NX V1899			
i	141196	2022-09-28	MOHITEN		Replacement of				 <b>MARQUARDT</b>
h	64508	2009-08-20	HHE					Zg.gl.Nr.v.25.11.1996	
g	29987	2000-08-08	GRH						
f	24370	1996-11-25	GRH						
Index	MEC-No.	Date (YYYY-MM-DD)	Edited by						