

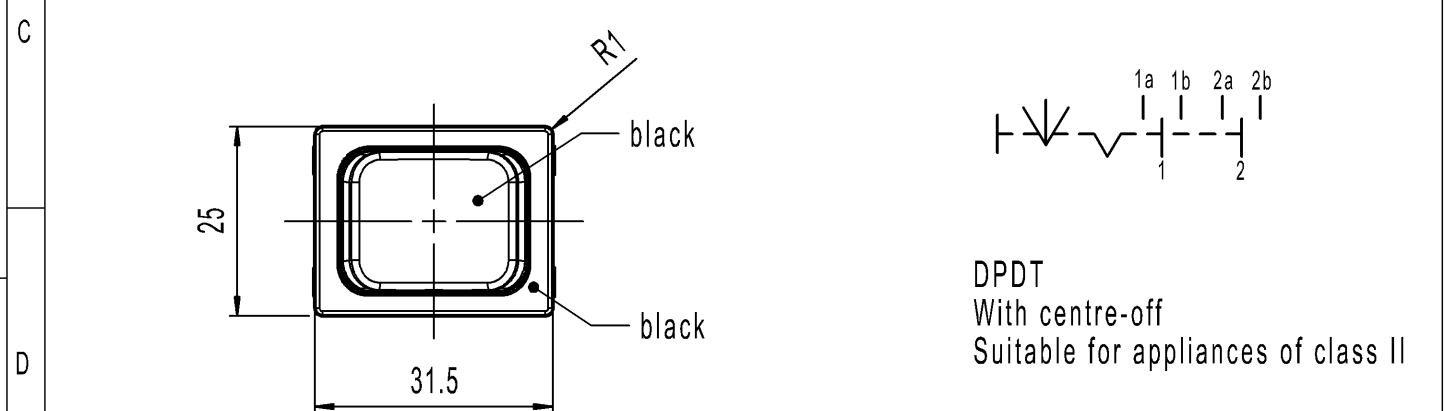
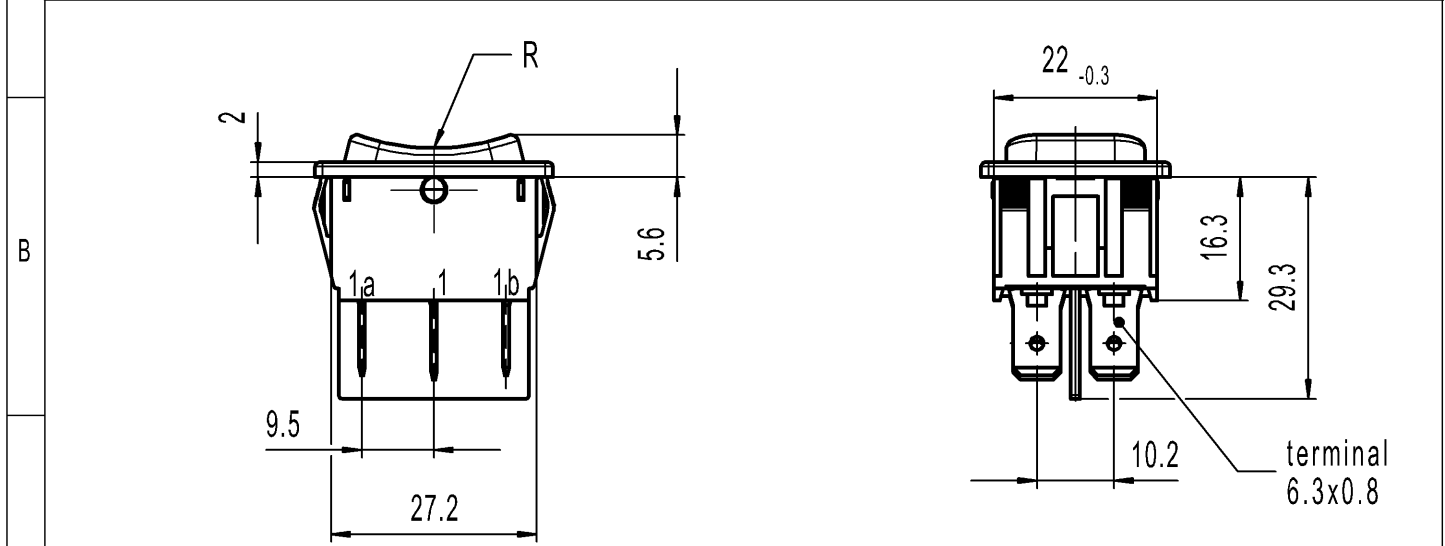
CONFIDENTIAL

VERTRAULICH

THIS DRAWING IS THE EXCLUSIVE PROPERTY OF MARQUARDT. WITHOUT THEIR CONSENT IT MAY NOT BE REPRODUCED OR GIVEN TO THIRD PARTIES.

Alle Rechte bei Marquardt, auch fuer den Fall von Schutzrechtsanmeldungen. Jede Verfuugungsbezugnis, wie Kopier- und Weitergaberecht, bei uns.

A	recommended cut-out for snap-in fixing (edge opposite to snap-in direction)	1	2	3	4
			wall thickness	length of cut-out	width of cut-out
			0.75 to 1.25	30 -0.1	22+0.2
			>1.25 to 2	30.2 -0.1	22+0.2
		>2 to 3	30.6 -0.1	22+0.2	



Marking  
 1839.  
 6(4)/250~T105/55

6A 125-250V AC  
 1/8 HP  
 R58

Code of manufacture: place/year/week

DPDT  
 With centre-off  
 Suitable for appliances of class II

-	-	-	1839.3502-XX
Figure	Type	Customer Part No.	Art.No.-PI
Shape and location	Angle $\pm 2^\circ$	Sheet 01	Ident. K
	Edge tolerance	Format DIN A4	Document number 18393502
	Length	Projection	Index f
	Radii	Scale 1:1	Appliance Switch
f	141196	All dimensions are in millimetres	
e	64508	System NX V1899	
d	29987	Replacement of	
c	24370	Zg.gl.Nr.v.25.11.1996	
Index	MEC-No.	Date (YYYY-MM-DD)	Edited by

