

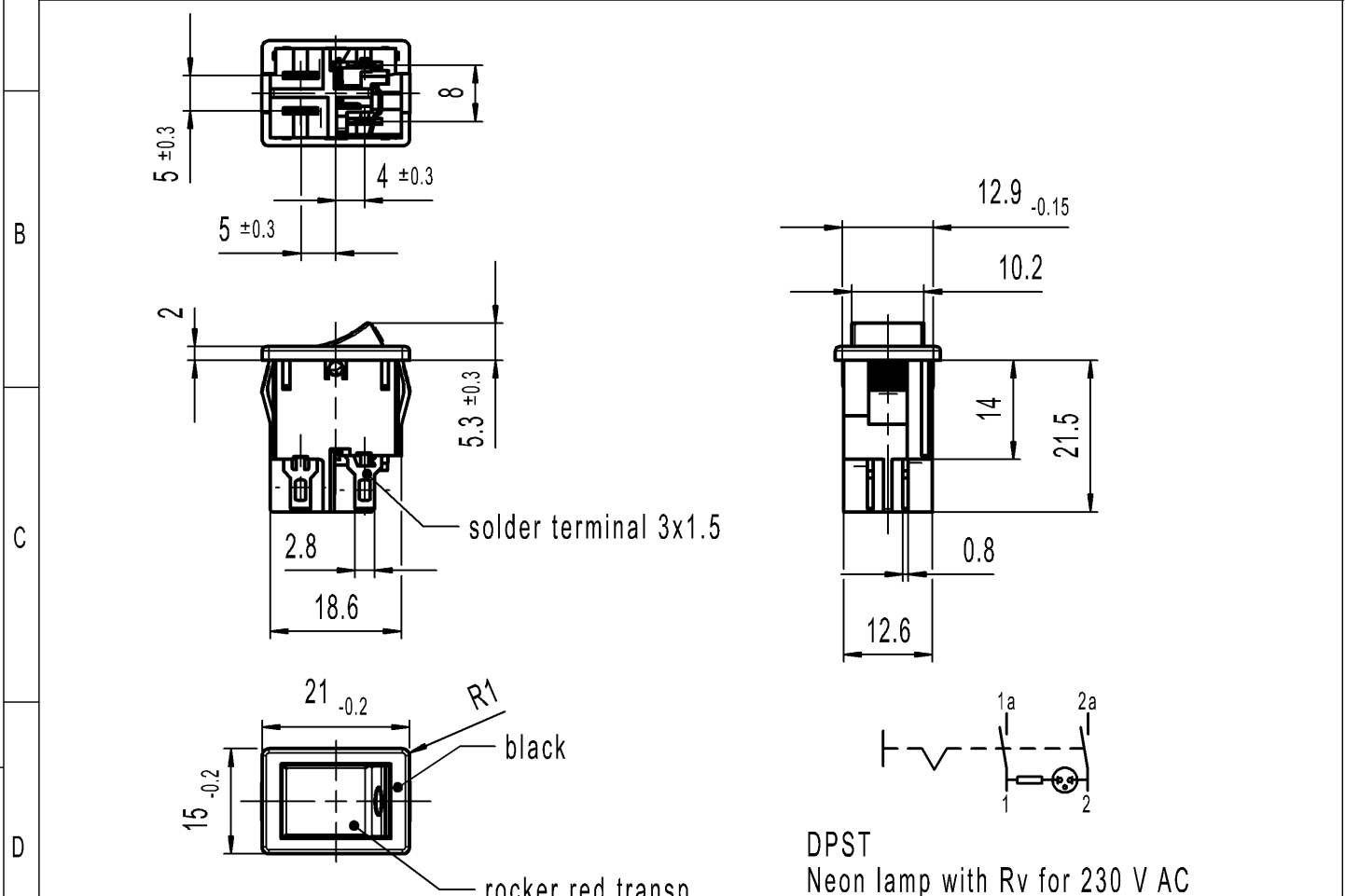
THIS DRAWING IS THE EXCLUSIVE PROPERTY OF MARQUARDT. WITHOUT THEIR CONSENT IT MAY NOT BE REPRODUCED OR GIVEN TO THIRD PARTIES.

CONFIDENTIAL

VERTRAULICH

Alle Rechte bei Marquardt, auch fuer den Fall von Schutzrechtsanmeldungen. Jede Veruegungsbefugnis, wie Kopier- und Weitergaberecht, bei uns.

A	recommended cut-out for snap-in fixing (edge opposite to snap-in direction)	1	2	3	4
			wall thickness	length of cut-out	width of cut-out
			0.75 to 1.25	19.2 -0.1	12.9+0.1
			1.25 to 2	19.4 -0.1	12.9+0.1
		2 to 3	19.8 -0.1	12.9+0.1	



solder terminal 3x1.5
 rocker red transp. symbol white
 DPST
 Neon lamp with Rv for 230 V AC
 Suitable for appliances of class II

Marking
 1855.
 4(1)/250~T85/55 | 4A 250V AC
 1/10 HP
 R69

Code of manufacture: place/year/month

-	-	1855.0102-XX	
Figure	Type	Customer Part No. Art.No.-PI	
Shape and location	Angle ± 2 °	Sheet 01	
	Edge tolerance	Ident. K	
	0-6 ± 0.2	Document number 18550102	
	>6-15 ± 0.4	Index g	
	>15-30 ± 0.4	Appliance Switch	
		All dimensions are in millimetres	
		Format DIN A4	Projection
		Scale 1:1	System NX V1899
		Replacement of	
		Zg.gl.Nr.v.29.06.1993	
g	141197	2023-01-03	MOHITEN
f	66876	2010-01-20	HHE
e	63303	2009-05-07	HHE
d	27320	2000-02-01	mf
Index	MEC-No.	Date (YYYY-MM-DD)	Edited by

