

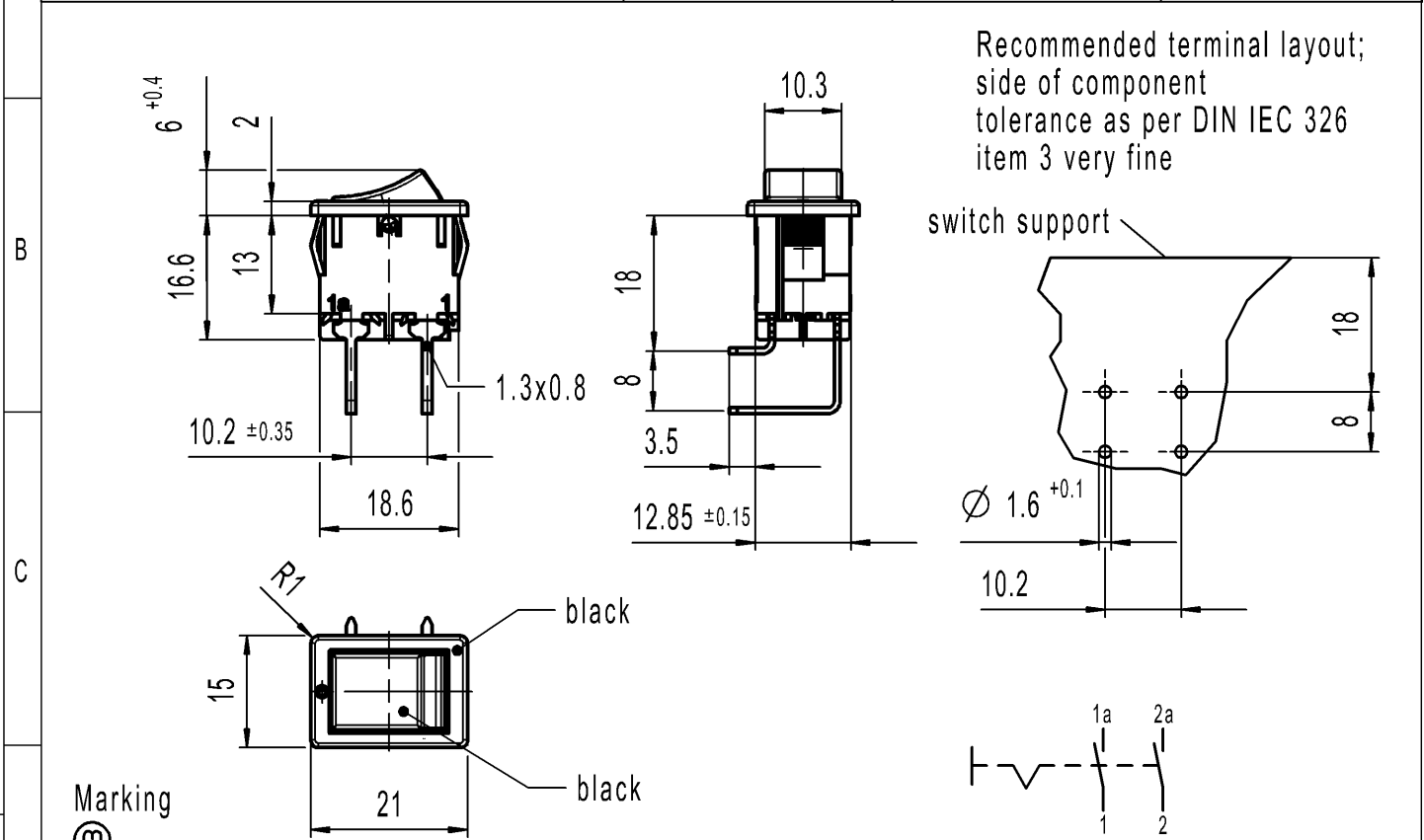
THIS DRAWING IS THE EXCLUSIVE PROPERTY OF MARQUARDT. WITHOUT THEIR CONSENT IT MAY NOT BE REPRODUCED OR GIVEN TO THIRD PARTIES.

CONFIDENTIAL

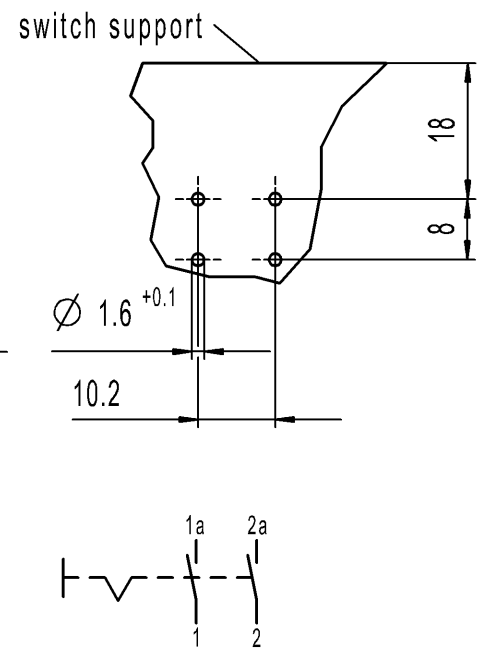
VERTRAULICH

Alle Rechte bei Marquardt, auch fuer den Fall von Schutzrechtsanmeldungen. Jede Veruegungsbefugnis, wie Kopier- und Weitergaberecht, bei uns.

A	recommended cut-out for snap-in fixing (edge opposite to snap-in direction)	1	2	3	4
		wall thickness	length of cut-out	width of cut-out	
		0.75 to 1.25	19.2 -0.1	12.9+0.1	
		1.25 to 2	19.4 -0.1	12.9+0.1	
		2 to 3	19.8 -0.1	12.9+0.1	



Recommended terminal layout;
side of component
tolerance as per DIN IEC 326
item 3 very fine



Marking
 (M)
 1858.
 6(4)/250~5E4 T100/55
 10(4)/250 ~
 5/100A 250V ~

12A 125-250V AC
1/3 HP 125V AC
1/2 HP 250V AC
R138 (SP) (RU)

Code of manufacture: place/year/week
 On box: G

DPST
 Suitable for appliance of class II
 Protected according to DIN 40 050, IP40
 G= matching IEC 60335-1:2001 clause 30

-	-	-	1858.4202-XX																		
Figure	Type	Customer Part No.	Art.No.-PI																		
Shape and location	Angle ± 2 °	Sheet 01	Ident. K																		
	Edge tolerance	Format DIN A4	Document number 18584202																		
⊙ ≡	<table border="1"> <tr> <th>Length</th> <th>Radii</th> </tr> <tr> <td>0-6 ± 0.2</td> <td>± 0.2</td> </tr> <tr> <td>>6-15 ± 0.4</td> <td>±</td> </tr> <tr> <td>>15-30 ± 0.4</td> <td>±</td> </tr> <tr> <td>±</td> <td>±</td> </tr> <tr> <td>±</td> <td>±</td> </tr> <tr> <td>±</td> <td>±</td> </tr> <tr> <td>±</td> <td>±</td> </tr> <tr> <td>±</td> <td>±</td> </tr> </table>	Length	Radii	0-6 ± 0.2	± 0.2	>6-15 ± 0.4	±	>15-30 ± 0.4	±	±	±	±	±	±	±	±	±	±	±	Projection	Index n
		Length	Radii																		
0-6 ± 0.2	± 0.2																				
>6-15 ± 0.4	±																				
>15-30 ± 0.4	±																				
±	±																				
±	±																				
±	±																				
±	±																				
±	±																				
n	141198	Scale 1:1	Appliance Switch																		
m	47886	All dimensions are in millimetres																			
l	42861	System NX V1872																			
k	42200	Replacement of																			
Index	MEC-No.	Zg.gl.Nr.v.18.02.1994																			
	Date (YYYY-MM-DD)	Edited by																			