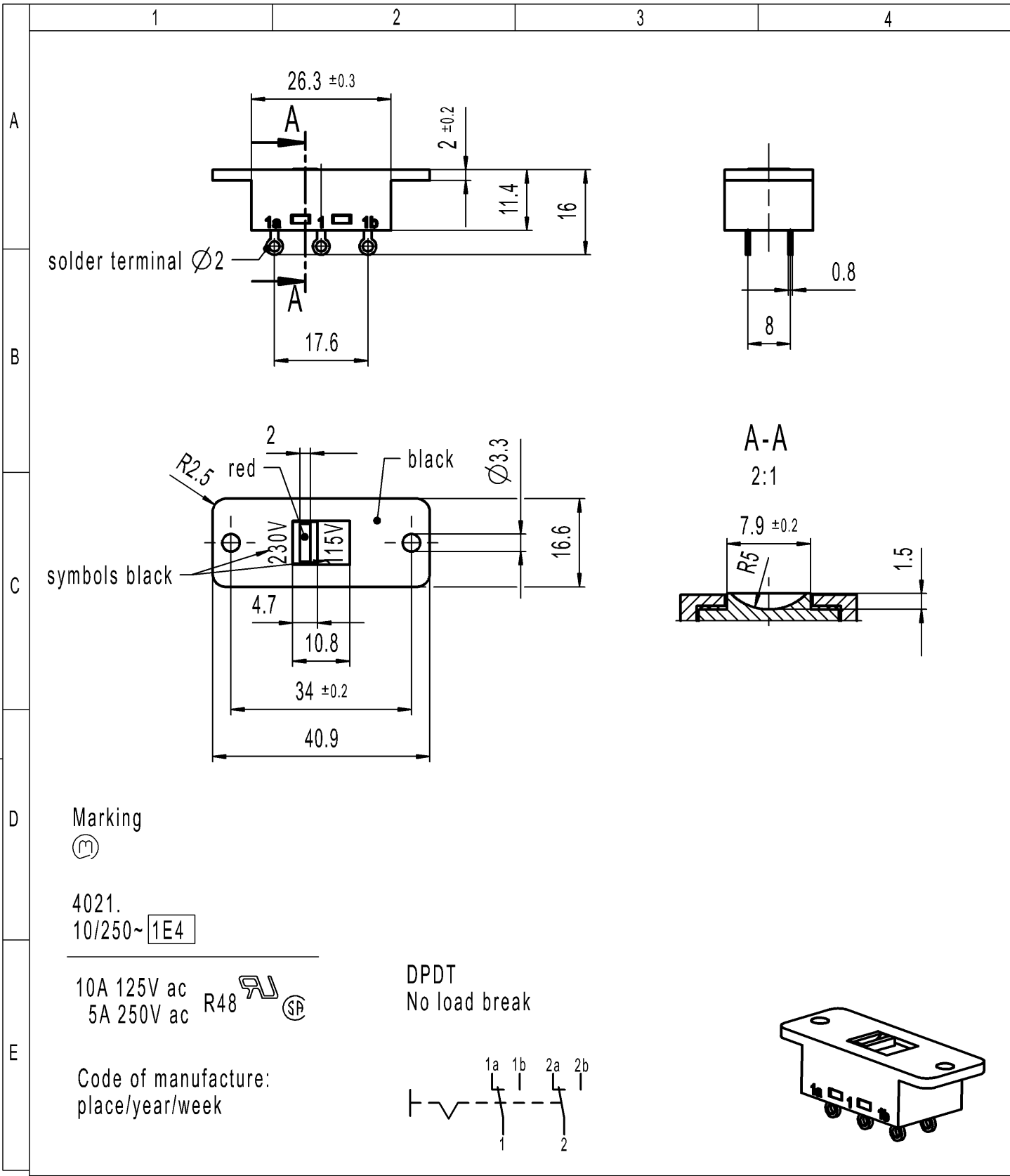


THIS DRAWING IS THE EXCLUSIVE PROPERTY OF MARQUARDT. WITHOUT THEIR CONSENT IT MAY NOT BE REPRODUCED OR GIVEN TO THIRD PARTIES.

CONFIDENTIAL

VERTRAULICH

Alle Rechte bei Marquardt, auch fuer den Fall von Schutzrechtsanmeldungen. Jede Verfuugungsbefugnis, wie Kopier- und Weitergaberecht, bei uns.



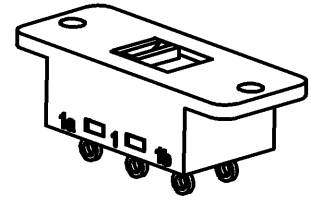
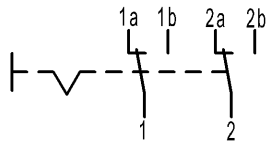
Marking

4021.
10/250~1E4

10A 125V ac
5A 250V ac R48

DPDT
No load break

Code of manufacture:
place/year/week



-		-		-		4021.0203-XX	
Figure		Type		Customer Part No.		Art.No.-PI	
Shape and location	Angle $\pm 2^\circ$	Length		Radii		Sheet	01
	Edge tolerance	0-15	± 0.2	0-6	± 0.2	Ident.	Document number
☉ ≡		>15-70	± 0.4	>6-30	± 0.4	K	40210203
				>30	$\pm 10\%$	g	
						Appliance Switch	
		MATHPATIR		All dimensions are in millimetres		MARQUARDT	
g	141972	2022-03-03		System NX V1899			
f	91918	2014-10-29		Replacement of		Zg.gl.Nr.v.18.03.1985	
e	87399	2013-12-16					
d	71182	2010-11-04					
Index	MEC-No.	Date (YYYY-MM-DD)		Edited by			