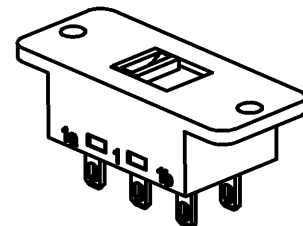
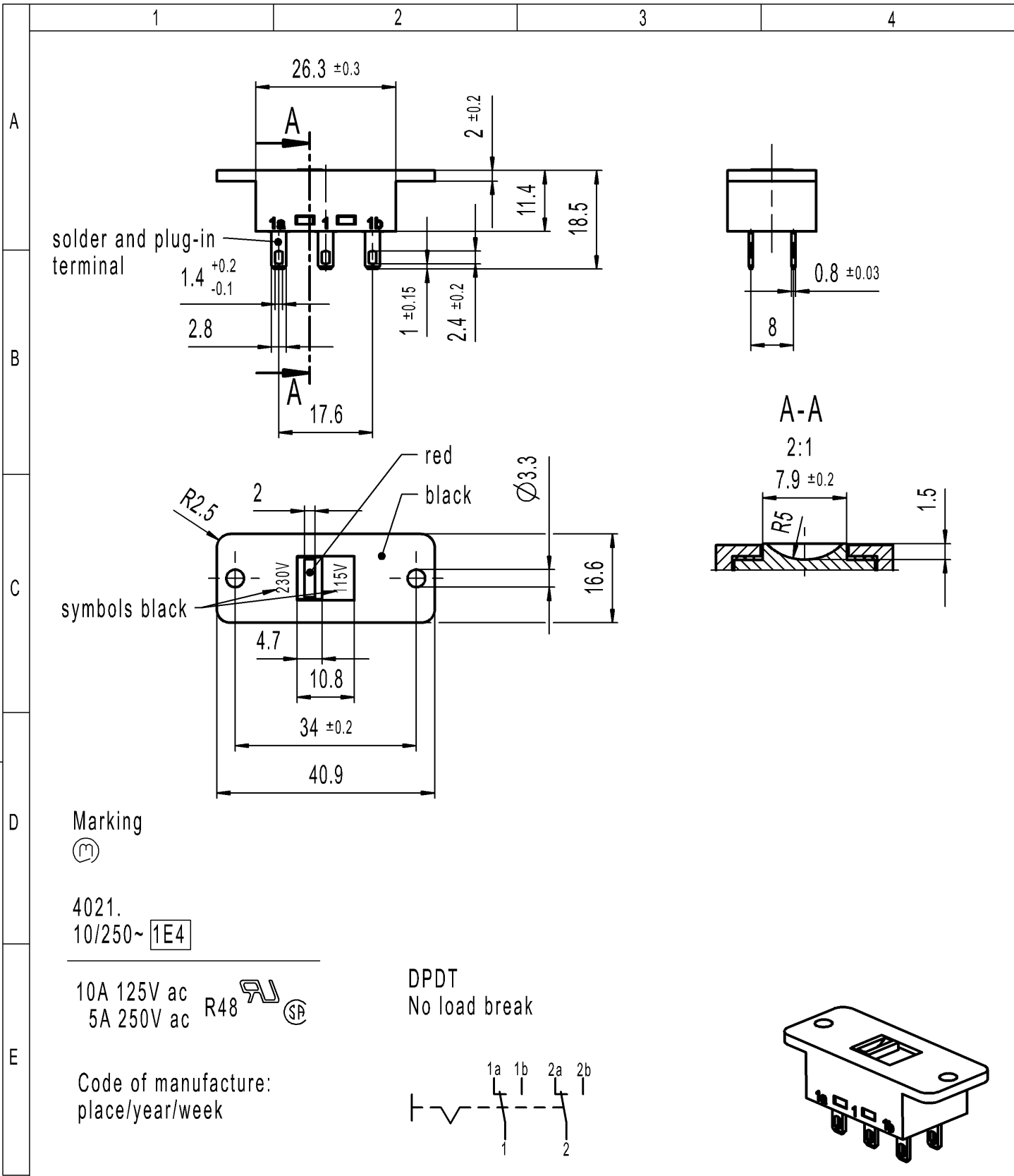


CONFIDENTIAL

VERTRAULICH

Alle Rechte bei Marquardt, auch fuer den Fall von Schutzrechtsanmeldungen. Jede Verfuugungsbefugnis, wie Kopier- und Weitergaberecht, bei uns.

THIS DRAWING IS THE EXCLUSIVE PROPERTY OF MARQUARDT. WITHOUT THEIR CONSENT IT MAY NOT BE REPRODUCED OR GIVEN TO THIRD PARTIES.



-		-		-		4021.0512-XX	
Figure		Type		Customer Part No.		Art.No.-PI	
Shape and location	Angle ± 2°	Length		Radii		Sheet	01
	Edge tolerance	0-15	± 0.2	0-6	± 0.2	Ident.	K
⊙ ≡		>15-70	± 0.4	>6-30	± 0.4	Document number	40210512
				>30	± 10%	Index	g
				All dimensions are in millimetres		Appliance Switch	
g	141972	2022-03-03		MATHPATIR		 MARQUARDT	
f	91918	2014-10-29		MUT			
e	87399	2013-12-16		MUT			
d	71182	2010-11-04		HHE			
Index	MEC-No.	Date (YYYY-MM-DD)		Edited by		System NX V1899 Replacement of Zg.gl.Nr.v.06.07.1981	