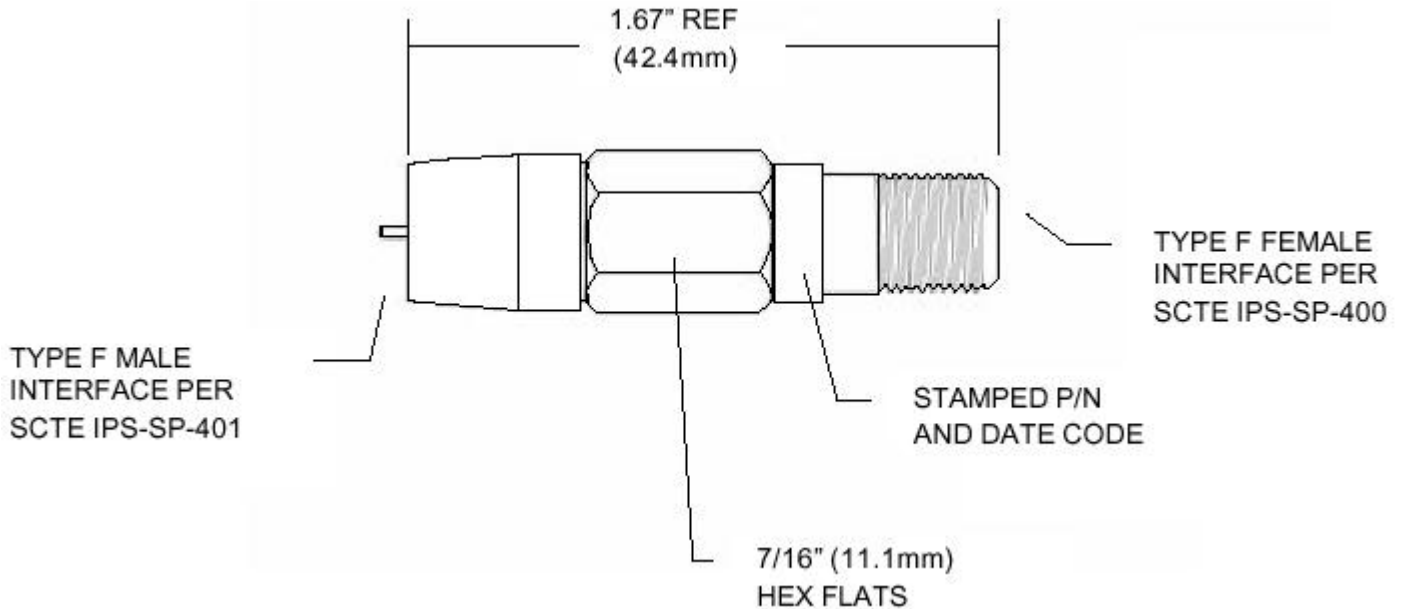


SHP3-XX(*) Filter Specifications

(*) -XX indicates the starting frequency of the passband. The passband extends up to 1GHz.

75 Ohm RF Coaxial High-Pass Filter



Characteristics

Material and Finish	
Component	Material/Finish
Body	Brass, ASTM B16 Bright Nickel Plate, QQ-N-290, Class I, Grade G
Female Contact, Precision F	Beryllium Copper Tin Plate
Female Insulator	TPX RT-18
Female Seal	Silicone Rubber
Male Contact	Brass, ASTM B16 Bright Tin, MIL-T-10727, Type I
Male Insulator	Delrin

Characteristics of the SHP3-XX

Electrical

Parameter	Value	Method/Specification
Nominal Impedance, Ohms	75 ± 3	Network Analyzer
Insertion Loss at Rejection Band, dB	See Trap Specification	PPC W505
Insertion Loss at Passband (up to 1GHz), dB	<1.5 dB	PPC W505
Return Loss at 75 Ohms, Passband (XX-1GHz)	>15 dB	Network Analyzer
Shielding Effectiveness, min, dB	125	SCTE IPS-TP-403B

Mechanical

Parameter	Value	Method/Specification
Installation Torque, Typ., in.-lbs.	30	Torque Wrench
Torque withstand, max, in.-lbs.	120	Torque Wrench
Female Contact Insertion Force, min, Grams	200	Using 0.032 in. dia. Pin (F59)
Female Contact Extraction Force, min, Grams	100	Using 0.032 in. dia. Pin (F59)

Environmental

Parameter	Value	Method/Specification
Operating Temperature Range, °C	-40 to +70	Environmental Chamber
Storage Temperature Range, °C	-40 to +70	Environmental Chamber
Salt Fog Spray	Pass	ASTM B 117-94
Moisture Migration/Bubble Test	Pass/ 50PSI	PPC Doc. No. W520
Red Die	Pass	SCTE IPS-TP-013
