

| | | | | | | | | | | | | | | | | | | | | | | | | | |
|----------------------------------|-----|-----|-----|-----|-----|-----|-----|----------------|----------------|----------------|----------------|----------------|----------------|----------------|----------------|-----|-----|-----|-----|-----|-----|-----|-----|-----------|---|
| Produkt-Nr. : 826 ... End-Nr. | | 1 | 2 | 3 | 4 | 5 | 6 | 7 | 8 | 9 | 0 | . | | | 5 | / | + | - | × | ÷ | = | * | # | ◇ | |
| | 000 | 001 | 002 | 003 | 004 | 005 | 006 | 007 | 008 | 009 | 010 | 011 | | | 015 | 016 | 017 | 018 | 019 | 020 | 021 | 022 | 023 | 024 | |
| Produkt-Nr. : 826 ... End-Nr. | | A | B | C | D | E | F | G | H | I | J | K | L | M | N | O | P | Q | R | S | T | U | V | W | X |
| | 051 | 052 | 053 | 054 | 055 | 056 | 057 | 058 | 059 | 060 | 061 | 062 | 063 | 064 | 065 | 066 | 067 | 068 | 069 | 070 | 071 | 072 | 073 | 074 | |
| Produkt-Nr. : 826 ... End-Nr. | | Y | Z | 🔊 | 🎵 | | | ◄ | ► | | | | | | 00 | ↪ | ↩ | ↪↩ | ⓘ | 123 | | | | | |
| | 075 | 076 | 078 | 080 | | | | 083 | 084 | | | | | | 090 | 092 | 093 | 094 | 095 | 096 | | | | | |
| Produkt-Nr. : 826 ... End-Nr. | | | | | | | | | | | | | | | | | | | | | | | | Oel 06 | |
| | | | | | | | | | | | | | | | | | | | | | | | | 124 | |
| Produkt-Nr. : 826 ... End-Nr. | | | | | | | | M ₁ | M ₂ | M ₃ | M ₄ | M ₅ | M ₆ | M ₇ | M ₈ | | | | | | | | | | |
| | | | | | | | | 132 | 133 | 134 | 135 | 136 | 137 | 138 | 139 | | | | | | | | | | |
| Produkt-Nr. : 826 ... End-Nr. | | | | | | | | Tab | Sup Pls | Sup blf | | | ⊙ | ⌚ | | | | | | | ← | | | | |
| | | | | | | | | 158 | 159 | 160 | | | 163 | 165 | | | | | | | 170 | | | | |
| Produkt-Nr. : 826 ... End-Nr. | | STO | RCL | Δ+ | Δ- | Δ× | ENT | Sup | Ben | | | | | | | | | | | | | | CLR | MODE | |
| | 176 | 177 | 178 | 179 | 180 | 181 | | 183 | 184 | | | | | | | | | | | | | | 198 | 199 | |

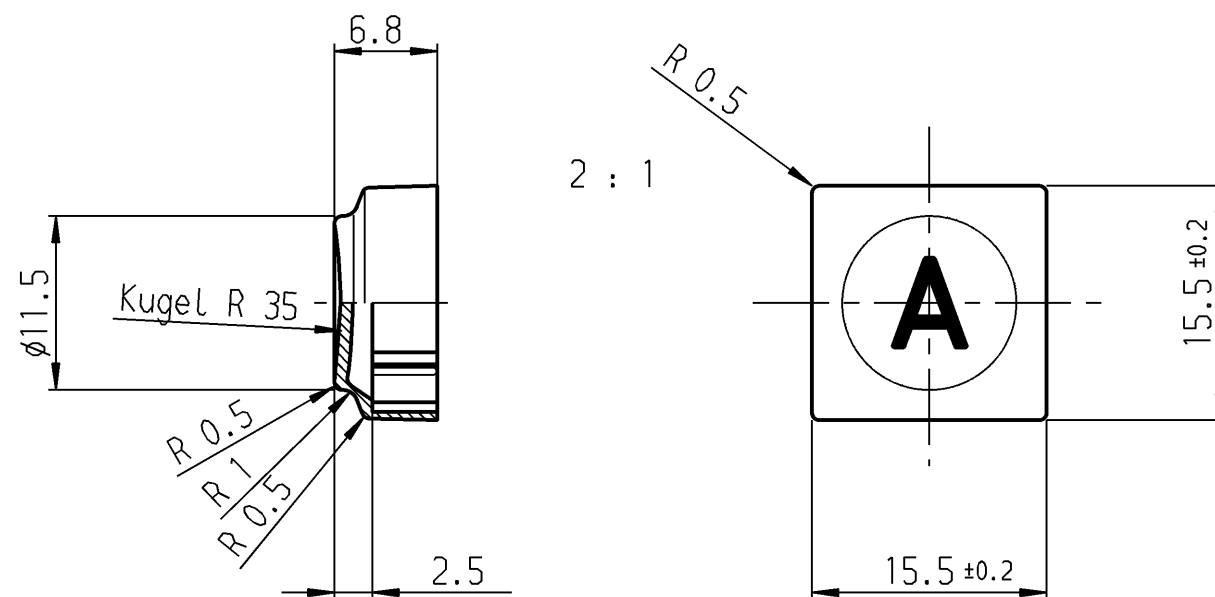
Zeichen entsprechen etwa der Darstellung
Sign correspond nearly to representation

* Anmerkung: Die mit ◀ (ohne Zeichen) und ▶ (mit Zeichen) versehenen Ausführungen entsprechen dem Standardprogramm. Alle nicht so gekennzeichneten Zeichen und Farben sind nur auf Anfrage lieferbar! Bei Bestellung von Tastenknöpfen ohne Zeichen bleibt die End-Nr. entsprechend der Tastenknopffarbe dieselbe.

All versions which are marked ◀ (with out sign) and ▶ (with sign) are according to our standard program. All symbols and colours which are not marked in that way are available on request only! In case there are ordered buttons without symbol, the last 3 digits of the number remain unchanged which is in accordance with the number of the button's colour.

For system 6425.
für Baureihe 6425.

bei Änd. beachte F.Z.



| | | |
|------------|-------------|---------|
| green | grün | 091 |
| white | weiß | |
| yellow | gelb | 081 |
| white | weiß | |
| red | rot | 071 |
| white | weiß | |
| beige | beige | 061 |
| white | weiß | |
| brown | braun | 041 |
| white | weiß | |
| grey | grau | 031 |
| white | weiß | |
| darkgrey | dunkelgrau | 021 |
| white | weiß | |
| anthracite | anthrazit | 011 |
| white | weiß | |
| Key button | Tastenknopf | End-Nr. |
| Sign | Zeichen | |

Schutzvermerk
nach DIN 34 beachten
COPYRIGHT RESERVED

| | | | | | | | | | | | |
|---|----------------------|--|-----------------------------|----------------|----------------------|------------------|------------------|--|----------------------------------|--------------------|--|
| Allgemeintoleranzen/UNTOLERANCED DIMENSIONS | | | | PROJECTION | | Pause COPY | | Blatt SHEET | | Zechn./DRAWING NO. | |
| Für Längen und Radien FOR LENGTHS AND RADII. | | Abmaße in mm Für Nennmaßbereich in mm ALL DIMENSIONS ARE IN MILLIMETRES | | | ☐ | | Original DIN | | K 826.000.011 | | |
| ± | | bis/UP TO 6 | über/OVER 6 bis/UP TO 30 | | ☉ | | Maßstab SCALE | | Key button Tastenknopf 1x1 | | |
| ± | | 0.2 | 0.4 | | 30 | | 1:1 | | | | |
| n | 23601 | 17.10.95 | ws | i | 22698 | 09.03.94 | ws | 0 10 20 30 mm | | | |
| m | 23507 | 24.08.95 | ws | h | 22499 | 15.10.93 | ws | gez./DRAWN BY 03.10.88 ws | | | |
| l | 23371 | 18.05.95 | ws | q | | | | gepr./CHECKED BY Sa | | | |
| k | 23303 | 26.04.95 | RS | p | 29900 | 20.06.00 | Mut | Ersatz für/REPLACEMENT OF | | | |
| j | 23167 | 20.01.95 | ws | o | 29840 | 19.06.00 | Mut | 826 000 011 v.19.03.80 | | | |
| Ausg. ISSUE | Änderung REVISION | gez. DRAWN BY | | Ausg. ISSUE | Änderung REVISION | gez. DRAWN BY | | MARQUARDT | | | |
| | | | | | | | | Marquardt GmbH, D-78604 Rietheim-Weiheim | | | |